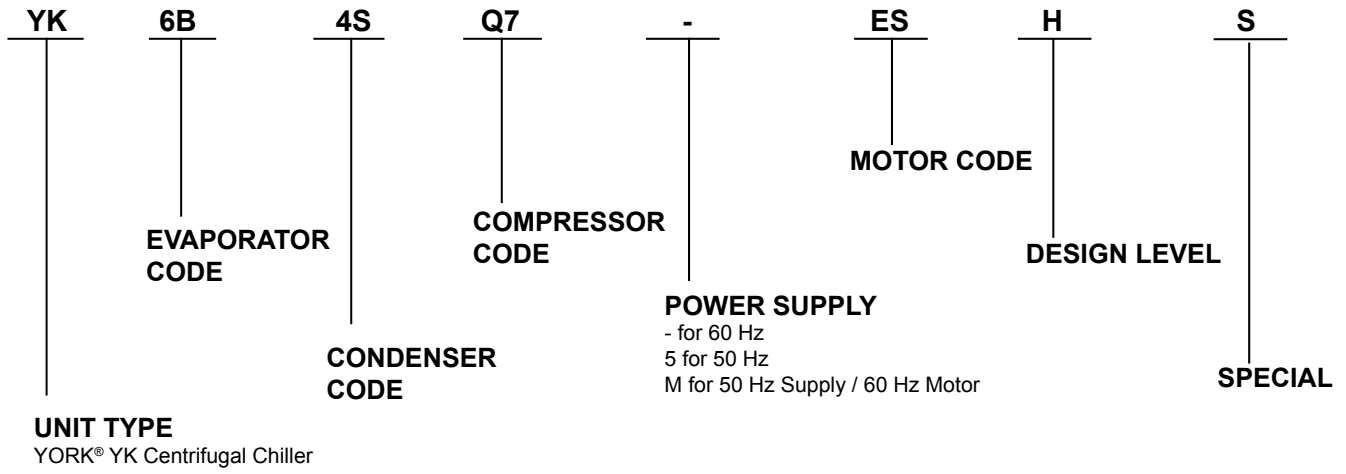


# MODEL YK CENTRIFUGAL LIQUID CHILLERS STYLE H

250 through 3000 Tons  
(5274 through 10,500 kW)  
Utilizing R-134a or R-513A



# Nomenclature



## Approvals

See Codes and Standards on page 17.

Dimensions shown in this manual are in English, (SI) where possible.

# ***Table Of Contents***

<b>INTRODUCTION .....</b>	<b>5</b>
<b>EQUIPMENT OVERVIEW .....</b>	<b>9</b>
<b>OPTIVIEW CONTROL CENTER .....</b>	<b>19</b>
<b>STARTERS AND DRIVES .....</b>	<b>27</b>
<b>ACCESSORIES AND MODIFICATIONS .....</b>	<b>35</b>
<b>APPLICATION DATA .....</b>	<b>39</b>
<b>WEIGHTS .....</b>	<b>68</b>
<b>GUIDE SPECIFICATIONS .....</b>	<b>71</b>
<b>METRIC (SI) CONVERSION .....</b>	<b>84</b>

THIS PAGE INTENTIONALLY LEFT BLANK.

# Introduction

YORK® YK Chillers, manufactured by Johnson Controls, offer a complete combination of features for total owner satisfaction.

## **MATCHED COMPONENTS MAXIMIZE EFFICIENCY**

Actual chiller efficiency cannot be determined by analyzing the theoretical efficiency of any one chiller component. It requires a specific combination of heat exchanger, compressor, and motor performance to achieve the lowest system kW/ton. YORK® chiller technology matches chiller system components to provide maximum chiller efficiency under actual – not just theoretical – operating conditions.

## **REAL-WORLD ENERGY PERFORMANCE**

Johnson Controls pioneered the concept of “Real-World Energy” to illustrate the energy-saving potential of focusing on chiller performance during off-design conditions. Off-design is not only part load, but full load operation as well, with reduced entering condenser water temperatures (ECWTs). This is where chillers operate 99% of the time, and where operating costs add up.

YORK® centrifugal chillers are the only chillers designed to operate on a continuous basis with cold ECWT and full condenser flow at all load points, taking full advantage of Real-World conditions. This type of operation benefits the cooling tower as well by reducing the cycling of the fan motor and ensuring good coverage of the cooling tower fill.

YORK® centrifugal chillers offer the most efficient Real-world operation of any chiller, meaning lower operating costs and an excellent return on your chiller investment.

## **OPEN-DRIVE DESIGN**

Hermetic motor burnout can cause catastrophic damage to a chiller. The entire chiller must be cleaned and the refrigerant replaced. YORK® YK centrifugal chillers eliminate this risk by utilizing air-cooled motors. Refrigerant never comes in contact with the motor, preventing contamination of the rest of the chiller.

Insurance companies that offer policies on large air conditioning equipment often consider air-cooled motors a significant advantage over hermetic refrigerant-cooled units.

## **HIGH EFFICIENCY HEAT EXCHANGERS**

YORK® YK chiller heat exchangers offer the latest technology in heat transfer surface design to give you maximum efficiency and compact design. Waterside and refrigerant side design enhancements minimize both energy consumption and tube fouling.

## Introduction (Cont'd)

### SINGLE STAGE COMPRESSOR DESIGN AND EFFICIENCY PROVEN IN THE MOST DEMANDING APPLICATIONS

Designed to be the most reliable chillers we've ever made, YORK® YK centrifugal chillers incorporate single-stage compressor design. With fewer moving parts and straight-forward, efficient engineering, YORK® single-stage compressors have proven durability records in hospitals, chemical plants, gas processing plants, the U.S. Navy, and in other applications where minimal downtime is a crucial concern.

In thousands of installations worldwide, YORK® single-stage compressors are working to reduce energy costs. High strength aluminum-alloy compressor impellers feature backward curved vanes for high efficiency. Airfoil shaped pre rotation vanes minimize flow disruption for the most efficient part load performance. Precisely positioned and tightly fitted, they allow the compressor to unload smoothly from 100% to minimum load for excellent operation in air conditioning applications.

### AHRI CERTIFICATION PROGRAM

YORK® YK chillers have been tested and certified by the Air-Conditioning, Heating and Refrigeration Institute (AHRI) in accordance with the latest edition of AHRI Standard 550/590 (I-P). Under this Certification Program, chillers are regularly tested in strict compliance with this Standard. This provides an independent, third-party verification of chiller performance. Refer to the AHRI site at: <http://www.ahrinet.org/WCCL> for complete Program Scope, Inclusions, and Exclusions as some options listed herein fall outside the scope of the AHRI certification program. For verification of certification, go to the AHRI Directory at [www.ahridirectory.org](http://www.ahridirectory.org).



### PRECISION CONTROL OF COMPRESSOR OIL PRESSURE

Utilizing our expertise in variable speed drive technology and applications, Johnson Controls has moved beyond the fixed head and bypass approach of oil pressure control. The old approach only assures oil pressure at the outlet of the pump rather than at the compressor, and allows no adjustment during chiller operation. YORK® YK chillers feature a variable speed drive oil pump, monitoring and providing the right amount of oil flow to the compressor on a continuous basis. This design also provides sophisticated electronic monitoring and protection of the oil pump electrical supply, ensuring long life and reliable operation of the oil pump motor. Variable speed drive technology reduces oil pump power consumption, running only at the speed required, rather than at full head with a pressure regulating bypass valve.

## ***Introduction (Cont'd)***

### **FACTORY PACKAGING REDUCES FIELD LABOR COSTS**

YORK® YK centrifugal chillers are designed to keep installation costs low. Where installation access is not a problem, the unit can be shipped completely packaged, requiring minimal piping and wiring to complete the installation.

For those units utilizing Variable Speed Drive or a factory-installed Solid-State Starter, the three power leads provide all power to the chiller and its auxiliaries.

### **TAKE ADVANTAGE OF COLDER COOLING TOWER WATER TEMPERATURES**

YORK® YK centrifugal chillers have been designed to take full advantage of colder cooling tower water temperatures, which are naturally available during most operating hours. Considerable energy savings are available by letting tower water temperature drop, rather than artificially holding it above 75°F (23.9°C), especially at low load, as some chillers require.

### **UL COMPLIANCE – YOUR ASSURANCE OF RELIABILITY**

YORK® YK centrifugal chillers are approved to UL Standard 1995 for listing by a qualified nationally recognized testing laboratory for the United States and Canada. Recognition of safety and reliability is your assurance of trouble free performance in day to-day building operation.

Some chiller options or modifications may affect the UL compliance of the chiller. Some examples include: special motor enclosures (like TEFC, TEWAC, or TEAAC) or special panels (NEMA 4X) or special unit wiring options (anything other than NEMA 1). For further clarification, contact Johnson Controls Application Engineering.

### **COMPUTERIZED PERFORMANCE RATINGS**

Each chiller is custom matched to meet the individual building load and energy requirements. A large number of standard heat exchangers and pass arrangements are available to provide the best possible match.

It is not practical to provide tabulated performance for each combination, as the energy requirements at both full and part load vary significantly with each heat exchanger and pass arrangement. Computerized ratings are available through each Johnson Controls Sales Office. These ratings can be tailored to specific job requirements, and are part of the AHRI Certification Program.

## ***Introduction (Cont'd)***

### **OFF-DESIGN PERFORMANCE**

Since the vast majority of its operating hours are spent at off design conditions, a chiller should be chosen not only to meet the full load design, but also for its ability to perform efficiently at lower loads and lower tower water temperatures. It is not uncommon for chillers with the same full load kW/ton to have an operating cost difference of over 10% due to part load operation.

Part load information can be easily and accurately generated by use of the computer. And because it is so important to an owner's operating budget, this information has now been standardized within the AHRI Certification Program in the form of an Integrated Part Load Value (IPLV), and Non-Standard Part Load Value (NPLV).

The IPLV/NPLV formulas from AHRI Standard 550/590 much more closely track actual chiller operations, and provide a more accurate indication of chiller performance than the previous IPLV/NPLV formula. A more detailed analysis must take into account actual building load profiles, and local weather data. Load performance data should be obtained for each job using its own design criteria.

### **SUSTAINABILITY**

Over 95% of the global-warming potential (GWP) of a centrifugal chiller is from the indirect effect – or the greenhouse gases generated in the production of electricity to run the chiller. Less than 5% of the GWP is from the direct effect or release of the refrigerant gases into the atmosphere.

To combat the direct effect, the YK chiller employs the most environmentally friendly medium pressure refrigerants available, R-134a or R-513A with no Ozone Depletion Potential and no phase-out date per the Montreal Protocol. Utilizing R-134a or R-513A achieves better results than the soon-to-be phased out HCFC-123 when using the US Green Building Council's (USGBC) Template EAc4 (Enhanced Refrigerant Management) to calculate the refrigerant impact of your project. The heat exchangers utilized on the YK chiller introduce a proprietary falling-film evaporator design that helps not only operate more efficiently, but also allows us to reduce our refrigerant charges up to 30% beyond conventional chiller designs.

The YK chiller is also designed for efficient performance to reduce the indirect effect. The YK chiller uses less energy, which reduces the greenhouse gases generated in the production of electricity to run the chiller. This can help qualify your project for up to 2 more LEED points using the advanced refrigerant-management credit.



# Equipment Overview

YORK® YK chillers are completely factory-packaged including the evaporator, condenser, compressor, motor, lubrication system, control center, and all interconnecting unit piping and wiring.

The initial charge of refrigerant and oil is supplied for each chiller. When the optional condenser isolation valves are ordered, most units may ship fully charged with refrigerant and oil. Actual shipping procedures will depend on a number of project-specific details.

The services of a Johnson Controls factory-trained, field service representative are engaged to supervise or perform the final leak testing, charging, the initial start-up, and concurrent operator instructions.

## COMPRESSOR

The compressor is a single-stage centrifugal type powered by an open drive electric motor. The casing is fully accessible with vertical circular joints and fabricated of close grain cast iron. The complete operating assembly is removable from the compressor and scroll housing.

The rotor assembly consists of a heat treated alloy steel drive shaft and impeller shaft with a high strength, cast aluminum alloy, fully shrouded impeller. The impeller is designed for balanced thrust and is dynamically balanced and overspeed tested for smooth, vibration free operation.

The insert-type journal and thrust bearings are fabricated of aluminum alloy and are precision bored and axially grooved. The specially engineered, single helical gears with crowned teeth are designed so that more than one tooth is in contact at all times to provide even distribution of compressor load and quiet operation. Gears are assembled as part of the compressor rotor support and are film lubricated. Each gear is individually mounted in its own journal and thrust bearings to isolate it from impeller and motor forces.

## CAPACITY CONTROL

Pre-rotation vanes (PRV) modulate chiller capacity from 100% to 15% of design for normal air conditioning applications. Operation is by an external, electric PRV actuator which automatically controls the vane position to maintain a constant leaving chilled liquid temperature. Rugged airfoil-shaped, cast-manganese-bronze vanes are precisely positioned by solid vane linkages connected to the electric actuator.

## LUBRICATION SYSTEM

Lubrication oil is force-fed to all bearings, gears and rotating surfaces by a variable speed drive pump, which operates before startup, continuously during operation, and during coastdown. A gravity fed oil reservoir is built into the top of the compressor to provide lubrication during coastdown in the event of a power failure.

An oil reservoir, separate from the compressor, contains the submersible oil pump, 2 HP (1.5 kW) pump motor and immersion type oil heater (1000 W for Q compressors, and 3000 W for all larger compressors). The oil heater is thermostatically controlled to remove refrigerant from the oil.

## Equipment Overview (Cont'd)

Oil is filtered by an externally mounted 1/2 micron replaceable cartridge oil filter equipped with service valves. Oil is cooled via a refrigerant-cooled oil cooler, eliminating the requirement for field water piping. The oil side of the oil cooler is provided with service valves. An automatic oil return system recovers any oil that may have migrated to the evaporator. Oil piping is completely factory-installed.

### MOTOR DRIVELINE

The compressor motor is an open drip proof, squirrel cage, induction type constructed to YORK® design specifications. The 60 Hz motors operate at 3570 rpm and the 50 Hz motors operate at 2975 rpm.

The open motor is provided with a D flange, and is factory-mounted to a cast iron adaptor mounted on the compressor. This unique design allows the motor to be rigidly coupled to the compressor to provide factory alignment of motor and compressor shafts.

Motor drive shaft is directly connected to the compressor shaft with a flexible disc coupling. Coupling has all metal construction with no wearing parts to assure long life, and no lubrication requirements to provide low maintenance.

For units utilizing remote electromechanical starters, a large, steel terminal box with gasketed front access cover is provided for field-connected conduit. There are six terminals (three for medium voltage) brought through the motor casing into the terminal box. Jumpers are furnished for three-lead types of starting. Motor terminal lugs are not furnished. Overload/over-current transformers are furnished with all units. For units furnished with factory-packaged Solid-State Starters or Variable Speed Drive, refer to the *Accessories and Modifications* section.

### HEAT EXCHANGERS

**Shells** - Evaporator and condenser shells are fabricated from rolled carbon steel plates with fusion welded seams or carbon steel pipe. Carbon steel tube sheets, drilled and reamed to accommodate the tubes, are welded to the end of each shell. Intermediate tube supports are fabricated from carbon steel plates, drilled and reamed to eliminate sharp edges, and spaced no more than four feet apart. The refrigerant side of each shell is designed, tested, and stamped in accordance with ASME Boiler and Pressure Vessel Code, Section VIII – Division I, or other pressure vessel code as appropriate.

**Tubes** - Heat exchanger tubes are state-of-the-art, high-efficiency, externally and internally enhanced type to provide optimum performance. Tubes in both the evaporator and condenser are 3/4 in. (19 mm) O.D. standard [or 1 in. (25.4 mm) optional in some shells] copper alloy and utilize the “skip-fin” design, providing a smooth internal and external surface at each intermediate tube support. This provides extra wall thickness (up to twice as thick) and non work-hardened copper at the support location, extending the life of the heat exchangers. Each tube is roller expanded into the tube sheets providing a leak-proof seal, and is individually replaceable.

## Equipment Overview (Cont'd)

**Evaporator** - The evaporator is a shell and tube type with customer process fluid flowing inside the tubes and refrigerant removing heat on the shell side via evaporation. Evaporators utilize a hybrid falling film design. It contains a balance of flooded and falling film technology to optimize efficiency, minimize refrigerant charge, and maintain reliable control. A specifically designed spray distributor provides uniform distribution of refrigerant over the entire length to yield optimum heat transfer. The hybrid falling film evaporator design has suction baffles around the sides and above the falling film section to prevent liquid refrigerant carryover into the compressor.

A 1-1/2 in. (38 mm) liquid level sight glass is conveniently located on the side of the shell to aid in determining proper refrigerant charge. The evaporator shell contains a dual-refrigerant relief valve arrangement set at 235 psig (16.2 barg) for shell sizes up to P and 180 psig (12.4 barg) for shell sizes Q and larger or single-relief valve arrangement, if the chiller is supplied with optional refrigerant isolation valves. A 1 in. (25.4 mm) refrigerant charging valve is provided.

**Condenser** - The condenser is a shell and tube type. A discharge gas baffle is available on shell sizes up to L to prevent direct high velocity impingement on the tubes. The baffle is also used to distribute the refrigerant gas flow properly for most efficient heat transfer. A cast steel condenser inlet diffuser is offered on shell sizes O and larger, in lieu of the baffle, to provide dynamic pressure recovery and enhanced chiller efficiency. An integral sub cooler is located at the bottom of the condenser shell providing highly effective liquid refrigerant subcooling to provide the highest cycle efficiency. The condenser contains dual refrigerant relief valves set at 235 psig (16.2 barg).

**Waterboxes** - The removable waterboxes are fabricated of steel. The design working pressure is 150 psig (10.3 barg) and the boxes are strength tested according to ASME code or customer requirements. Refer to *160.76-TD3* for more information. Integral steel water baffles are located and welded within the waterbox to provide the required pass arrangements. Stub out water nozzle connections with ANSI/AWWA C-606 grooves are welded to the waterboxes. These nozzle connections are suitable for ANSI/AWWA C-606 couplings, welding or flanges, and are capped for shipment. Plugged 3/4 in. (19 mm) drain and vent connections are provided in each waterbox.

### WATER FLOW SWITCHES

Thermal type water flow switches are factory mounted in the chilled and condenser water nozzles, and are factory wired to the OptiView™ control panel. These solid-state flow sensors have a small internal heating-element. They use the cooling effect of the flowing fluid to sense when an adequate flow rate has been established. The sealed sensor probe is 316 stainless steel, which is suited to very high working pressures.

## Equipment Overview (Cont'd)

### OPTIVIEW™ CONTROL CENTER

The chiller is controlled by a stand-alone microprocessor based control center. The chiller control panel provides control of chiller operation and monitoring of chiller sensors, actuators, relays and switches.

**Control Panel** - The control panel includes a 10.4 in. (264 mm) diagonal color liquid crystal display (LCD) surrounded by "soft" keys which are redefined based on the screen displayed at that time, mounted in the middle of a keypad interface and installed in a locked enclosure. The screen details all operations and parameters, using a graphical representation of the chiller and its major components. Panel verbiage is available in eight languages and can be changed on the fly without having to turn off the chiller. Data can be displayed in either English or Metric units. Smart Freeze Point Protection will run the chiller at 36°F (2.2°C) leaving chilled water temperature, and not have nuisance trips on low water temperature. The sophisticated program and sensor monitors the chiller water temperature to prevent freeze-up. When needed, Hot Gas Bypass is available as an option. The panel displays countdown timer messages so the operator knows when functions are starting and stopping. Every programmable point has a pop-up screen with the allowable ranges, so that the chiller cannot be programmed to operate outside of its design limits.

The chiller control panel also provides:

#### A. System operating information including:

1. Return and leaving chilled water temperature
2. Return and leaving condenser water temperature
3. Evaporator and condenser saturation pressure
4. Differential oil pressure
5. Percent motor current
6. Evaporator and condenser saturation temperature
7. Compressor discharge temperature
8. Oil reservoir temperature
9. Compressor thrust bearing positioning (K compressors only)
10. Operating hours
11. Number of compressor starts

#### B. Digital programming of setpoints through the universal keypad including:

1. Leaving chilled water temperature
2. Percent current limit
3. Pull-down demand limiting
4. Six-week schedule for starting and stopping the chiller, pumps and tower
5. Remote reset temperature range

## Equipment Overview (Cont'd)

### C. Status messages indicating:

1. System ready to start
2. System running
3. System coastdown
4. System safety shutdown – manual restart
5. System cycling shutdown – auto restart
6. System pre-lube
7. Start inhibit

### D. The text displayed within the system status and system details field is displayed as a color-coded message to indicate severity: red for safety fault, orange for cycling faults, yellow for warnings, and green for normal messages.

### E. Safety shutdowns enunciated through the display and the status bar, and consist of system status, system details, day, time, cause of shutdown, and type of restart required. Safety shutdowns with a fixed-speed drive include:

1. Evaporator – low pressure
2. Evaporator – transducer or leaving liquid probe
3. Evaporator – transducer or temperature sensor
4. Condenser – high pressure contacts open
5. Condenser – high pressure
6. Condenser – pressure transducer out-of-range
7. Auxiliary safety – contacts closed
8. Discharge – high temperature
9. Discharge – low temperature
10. Oil – high temperature
11. Oil – low differential pressure
12. Oil – high differential pressure
13. Oil – sump pressure transducer out-of-range
14. Oil – differential pressure calibration
15. Oil – variable speed pump – pressure setpoint not achieved
16. Control panel – power failure
17. Motor or starter – current imbalance

## ***Equipment Overview (Cont'd)***

18. Thrust bearing – proximity probe clearance (K compressors only)
19. Thrust bearing – proximity probe out-of-range (K compressors only)
20. Thrust bearing – position switch (P, Q, and H9 compressors)
21. Watchdog – software reboot

### F. Safety shutdowns with a VSD include:

1. VSD shutdown – requesting fault data
2. VSD – stop contacts open
3. VSD – 105% motor current overload
4. VSD – high phase A, B, C inverter heat-sink temp
5. VSD – high converter heat-sink temperature (Filter Option Only)
6. Harmonic filter – high heat-sink temperature
7. Harmonic filter – high total demand distortion

### G. Cycling shutdowns enunciated through the display and the status bar, and consists of system status, system details, day, time, cause of shutdown, and type of restart required.

### H. Cycling shutdowns with a fixed speed drive include:

1. Multi unit cycling – contacts open. System cycling – contacts open
2. Oil – low temperature differential
3. Oil – low temperature
4. Control panel – power failure
5. Leaving chilled liquid – low temperature
6. Leaving chilled liquid – flow switch open
7. Motor controller – contacts open
8. Motor controller – loss of current
9. Power fault
10. Control panel – schedule
11. Starter – low supply line voltage (SSS option)
12. Starter – high supply line voltage (SSS option)
13. Proximity probe – low supply voltage (K Compressor)
14. Oil – variable speed pump – drive contacts open

## ***Equipment Overview (Cont'd)***

- I. Cycling shutdowns with a VSD include:
  1. VSD shutdown – requesting fault data
  2. VSD – stop contacts open
  3. VSD – initialization failed
  4. VSD – high phase A, B, C instantaneous current
  5. VSD – phase A, B, C gate driver
  6. VSD – single phase input power
  7. VSD – high DC bus voltage
  8. VSD – precharge DC bus voltage imbalance
  9. VSD – high internal ambient temperature
  10. VSD – invalid current scale selection
  11. VSD – low phase A, B, C inverter heat-sink temp
  12. VSD – low converter heat-sink temperature
  13. VSD – precharge – low DC bus voltage
  14. VSD – logic board processor
  15. VSD – run signal
  16. VSD – serial communications (Filter Option Only)
  17. Harmonic filter – logic board or communications
  18. Harmonic filter – high DC bus voltage
  19. Harmonic filter – high phase A, B, C current
  20. Harmonic filter – phase locked loop
  21. Harmonic filter – precharge – low DC bus voltage
  22. Harmonic filter – DC bus voltage imbalance
  23. Harmonic filter – 110% input current overload
  24. Harmonic filter – logic board power supply
  25. Harmonic filter – run signal
  26. Harmonic filter – DC current transformer 1
  27. Harmonic filter – DC current transformer 2

## ***Equipment Overview (Cont'd)***

- J. Security access to prevent unauthorized change of setpoints, to allow local or remote control of the chiller, and to allow manual operation of the pre-rotation vanes and oil pump. Access is through ID and password recognition, which is defined by three different levels of user need: view, operator, and service.
- K. Trending data with the ability to customize points of once every second to once every hour. The panel will trend up to 6 different parameters from a list of over 140, without the need of an external monitoring system.
- L. The operating program stored in non-volatile memory (EPROM) to eliminate reprogramming the chiller due to AC power failure or battery discharge. Programmed setpoints are retained in lithium battery-backed RTC memory for a minimum of 5 years with power removed from the system.
- M. A fused connection through a transformer in the compressor motor starter to provide individual over-current protected power for all controls.
- N. A numbered terminal strip for all required field interlock wiring.
- O. An RS-232 port to output all system operating data, shutdown/cycling message, and a record of the last 10 cycling or safety shutdowns to a field-supplied printer. Data logs to a printer at a set programmable interval. This data can be preprogrammed to print from 1 minute to 1 day.
- P. The capability to interface with a building automation system via hard-wired connections to each feature to provide:
  - 1. Remote chiller start and stop
  - 2. Remote leaving chiller liquid temperature adjust
  - 3. Remote current limit setpoint adjust
  - 4. Remote ready to start contacts
  - 5. Safety shutdown contacts
  - 6. Cycling shutdown contacts
  - 7. Run contacts

### **REFRIGERANT FLOW CONTROL**

Refrigerant flow to the evaporator is controlled by the YORK® variable orifice control system. Liquid refrigerant level is continuously monitored to provide optimum subcooler, condenser and evaporator performance. The variable orifice electronically adjusts to all Real-World operating conditions, providing the most efficient and reliable operation of refrigerant flow control.



## ***Equipment Overview (Cont'd)***

### **CODES AND STANDARDS**

- ASME Boiler and Pressure Vessel Code – Section VIII Division 1
- UL 1995 – Heating and Cooling Equipment
- ASHRAE 15 – Safety Code for Mechanical Refrigeration
- ASHRAE Guideline 3 – Reducing Emission of Halogenated Refrigerants in Refrigeration and Air-Conditioning Equipment and Systems
- NEC – National Electrical Code
- OSHA – Occupational Safety and Health Act

### **ISOLATION MOUNTING**

The unit is provided with four vibration isolation mounts of nominal 1 in. (25.4 mm) operating height. The pads have a neoprene pad to contact the foundation, bonded to a steel plate. The vibration isolation pads assemblies mount under steel plates affixed to the chiller tube sheets.

### **REFRIGERANT CONTAINMENT**

The standard unit has been designed as a complete and compact factory-packaged chiller. As such, it has minimum joints from which refrigerant can leak. The entire assembly has been thoroughly leak tested at the factory before shipment. The YORK® YK chiller includes service valves conveniently located to facilitate transfer of refrigerant to a remote refrigerant storage/recycling system. Optional condenser isolation valves allow storage of the charge in the condenser.

### **PAINT**

Exterior surfaces are protected with one coat of Caribbean blue, durable alkyd modified, vinyl enamel machinery paint.

### **SHIPMENT**

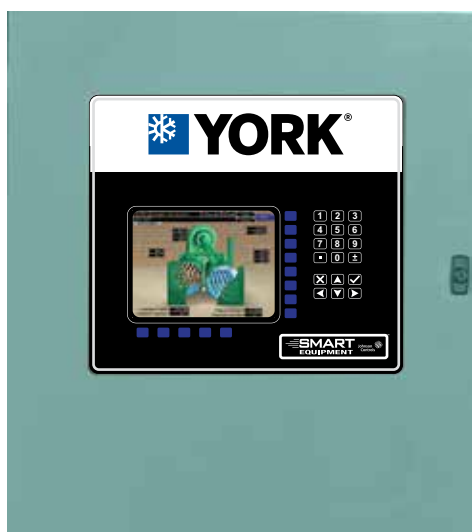
A protective covering is furnished on all of the electrical enclosures. Water nozzles are capped with fitted plastic caps. The entire unit is protected with a industrial-grade, reinforced shrink-wrapped covering.

THIS PAGE INTENTIONALLY LEFT BLANK.

## OptiView™ Control Center

**NOTE:** Refer to the OptiView Control Center Operator's Manual for a complete description of features and functionality.

The YORK® OptiView™ Control Center is a factory mounted, wired and tested microprocessor based control system for centrifugal chillers. For the YK, it controls the leaving chilled liquid temperature and limits the motor current via control of the Variable Geometry Diffuser (VGD) and Variable Speed Drive (VSD).



The panel comes configured with a full screen LCD Graphic Display mounted in the middle of a keypad interface with soft keys, which are redefined with one keystroke based on the screen displayed at the time. The graphic display allows the presentation of several operating parameters at once. In addition, the operator may view a graphical representation of the historical operation of the chiller as well as the present operation. For the novice user, the locations of various chiller parameters are clearly and intuitively marked. Instructions for specific operations are provided on many of the screens. To prevent unauthorized changes of set points and operating conditions, security access is provided with three different levels of access and passwords.

The graphic display also allows information to be represented in both English (temperatures in °F and pressures in psig) and Metric (temperatures in °C and pressures in kPa) mode. The advantages are most apparent, however, in the ability to display many languages.

## OptiView™ Control Center (Cont'd)

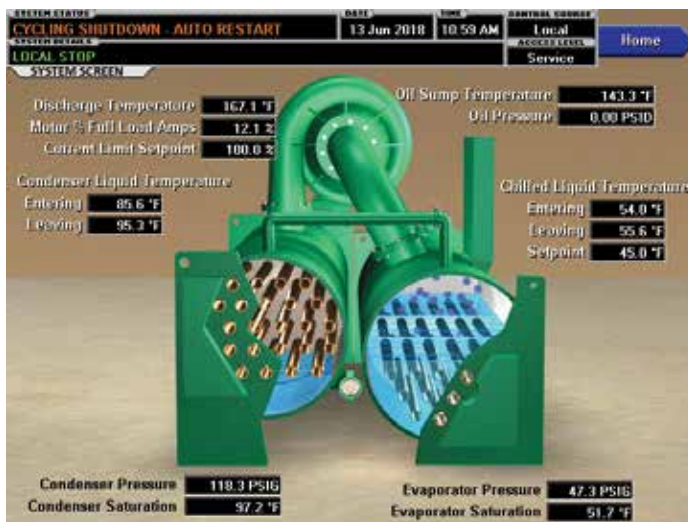
The Control Center continually monitors the system operation and records the cause of any shutdowns (Safety, Cycling or Normal). This information is recorded in memory and is preserved even through a power failure condition. The user may recall it for viewing at any time. During operation, the user is continually advised of the operating conditions by various status and warning messages. In addition, it may be configured to notify the user of certain conditions via alarms. The Control Center expands the capabilities of remote control and communications. By providing a common networking protocol through the Building Automation System (BAS), YORK® Chillers not only work well individually, but also as a team. This new protocol allows increased remote control of the chiller, as well as 24-hour performance monitoring via a remote site. In addition, compatibility is maintained with the present network of BAS communications. The chiller also maintains the standard digital remote capabilities as well. Both of these remote control capabilities allow for the standard Energy Management System (EMS) interface:

1. Remote Start.
2. Remote Stop.
3. Remote Leaving Chilled Liquid Temperature Setpoint adjustment (0 VDC to 10 VDC, 2 VDC to 10 VDC, 0 mA to 20 mA, or 4 mA to 20 mA) or Pulse Width Modulation.
4. Remote Current Limit Setpoint adjustment.
5. (0 VDC to 10 VDC, 2 VDC to 10 VDC, 0 mA to 20 mA, or 4 mA to 20 mA) or Pulse Width Modulation.
6. Remote READY TO START Contacts.
7. Safety Shutdown Contacts.
8. Cycling Shutdown Contacts.

The following are examples of the information displayed on some of the more important screens:

### SYSTEM SCREEN

This screen gives a general overview of common chiller parameters.



LD26779

# OptiView™ Control Center (Cont'd)

## EVAPORATOR SCREEN

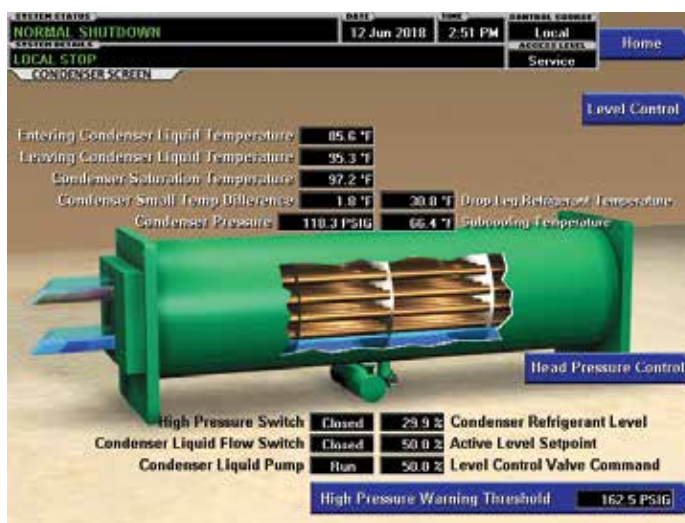
This screen displays a cutaway view of the chiller evaporator. All setpoints relating to the evaporator side of the chiller are maintained on this screen. Animation of the evaporation process indicates whether the chiller is presently in a RUN condition (bubbling) and liquid flow in the pipes is indicated by alternating shades of color moving in and out of the pipes.



LD27301

## CONDENSER SCREEN

This screen displays a cutaway view of the chiller condenser. All setpoints relating to the condenser side of the chiller are maintained on this screen. Animation indicates condenser liquid flow.



LD26782

# OptiView™ Control Center (Cont'd)

## COMPRESSOR SCREEN

This screen displays a cutaway view of the chiller compressor, revealing the impeller, and shows all conditions associated with the compressor. Animation of the compressor impeller indicates whether the chiller is presently in a RUN condition. This screen also serves as a gateway to subscreens for the Variable Geometry Diffuser (VGD) and the Power Panel.



LD26781

## HOT GAS BYPASS SCREEN

This screen displays a cutaway view of the Hot Gas Bypass Valve. The setpoints relating to the Hot Gas Bypass Control are maintained on this screen. Related Hot Gas control parameters are displayed for reference. The Hot Gas Valve can be manually controlled from this screen. Through animation, the relative valve position is displayed. The parameters displayed on this screen vary according to the software version and the selection made for the Motor Communications Protocol Setpoint when equipped with Variable Speed Drive (VSD) or Medium Voltage Variable Speed Drive (MVVSD).



LD27304

# OptiView™ Control Center (Cont'd)

## VARIABLE GEOMETRY DIFFUSER (OPTISOUND™ CONTROL)

This can be accessed from the COMPRESSOR screen and gives the basic stall, position, and pressure details.



LD27309

## HISTORY SCREEN

This screen allows the user to browse through the faults. In order to get a more thorough reporting of the system conditions at the time of the recorded shutdown, move to the sub-screen HISTORY DETAILS.



LD27303



# OptiView™ Control Center (Cont'd)

## CAPACITY CONTROL SCREEN

This screen displays capacity control information and includes a programmable pull-down demand to automatically limit VSD input loading for minimizing building demand charges. Pull-down time period control over four hours, and verification of time remaining in pull-down cycle from display readout. Separate digital setpoint for current limiting between 30% and 100%.



LD26780

## SETPOINTS

This screen provides a convenient location for programming the most common chiller control setpoints. Changing setpoints and setup requires proper password access. This screen also serves as a gateway to a subscreen for defining the setup of general system parameters.



LD27308



# OptiView™ Control Center (Cont'd)

## OPERATIONS

This screen allows definition of general parameters having to do with the operation of the chiller.



LD27306

## MOTOR DETAILS

This screen displays information pertinent to the Motor Temperature Monitoring feature. The feature consists of motor winding temperature and motor housing temperature. Individual winding temperature sensors can also be disabled on this screen.



LD27305

# OptiView™ Control Center (Cont'd)

## REMOTE CONTROL

This screen allows the user to independently select the method of control for Run/Stop, Cooling Setpoint and Current Limit Setpoint. This gives complete flexibility for the control interface.



LD27307

## DISPLAY MESSAGES

The OptiView™ Control Center continually monitors the operating system displaying and recording the cause of any shutdowns (Safety, Cycling or Normal). The condition of the chiller is displayed at the System Status line that contains a message describing the operating state of the chiller; whether it is stopped, running, starting or shutting down. A System Details line displays Warning, Cycling, Safety, Start Inhibit and other messages that provide further details of Status Bar messages. Messages are color-coded: Green – Normal Operations, Yellow - Warnings, Orange – Cycling Shutdowns, and Red – Safety Shutdowns to aid in identifying problems quickly.

# Starters and Drives

## STARTERS

### Variable Speed Drive Starter

When a YORK® YK chiller is equipped with a variable speed drive, it incorporates advanced Adaptive Capacity Control logic, which continually optimizes chiller operation. It closely examines critical operating parameters, and then determines the most efficient way to operate. In addition, it allows optimized savings when using intelligent control strategies, such as chilled-water reset. Adaptive Capacity Control logic also accommodates the characteristics of the refrigerant used in the chiller – today and tomorrow.

The variable speed drive was specifically developed for commercial air-conditioning applications. No one matches Johnson Controls experience in the application of variable speed drive technology to chillers. Since pioneering the concept in 1978, Johnson Controls has installed more variable speed drive chillers than all other chiller manufacturers combined.

Variable speed drives will save in both single-chiller installations and multiple-chiller installations. In multiple-chiller installations, cycling chillers off as the building load falls will result in higher loads on the remaining chillers. This would seem to reduce the opportunity for drives to save energy. However, even though chiller loads remain high, entering condenser-water temperature has most likely fallen. And, reductions in entering condenser water temperature offer a far greater potential to enhance chiller efficiency than load reductions do. Therefore, variable speed drive will deliver major energy savings in multiple-chiller plants, too.

The YORK® Variable Speed Drive is available as low and medium voltage options for the compressor motor (see *Table 1*).

**TABLE 1 - VARIABLE SPEED DRIVE STARTER OPTION**

LOW VOLTAGE STARTERS								
	60 HZ				50 HZ			
<b>YORK®</b>	380 V	400 V	460 V	575 V	380 V	400 V	415 V	
<b>VARIABLE SPEED DRIVE UNIT MOUNTED</b>	X	SQ	X	X	X	X	X	–
60 HZ MEDIUM VOLTAGE STARTERS								
<b>YORK®</b>	2300 V	3300 V	4000 V	4160 V	6000 V	6600 V	12470 V	13800 V
<b>VARIABLE SPEED DRIVE FLOOR MOUNTED</b>	X	X	X	X	SQ	SQ	SQ	SQ
50 HZ MEDIUM VOLTAGE STARTERS								
<b>YORK®</b>	2300 V	3000 V	3300 V	6000 V	6600 V	10000 V	11000 V	
<b>VARIABLE SPEED DRIVE FLOOR MOUNTED</b>	–	–	X	SQ	SQ	SQ	SQ	–

X = Available in YorkWorks

SQ = Available by Special Quotes (SQ)

**NOTE:** Check availability in YorkWorks.

## Starters and Drives (Cont'd)

### LOW VOLTAGE VARIABLE SPEED DRIVE

The Low Voltage YORK® variable speed drive is factory-packaged and mounted on the YORK® YK chiller. It is designed to vary the compressor motor speed by controlling the frequency and voltage of the electrical power to the motor. The adaptive capacity control logic automatically adjusts motor speed and compressor pre-rotation vane position independently for maximum part load efficiency by analyzing information fed to it by sensors located throughout the chiller.

The variable speed drive is mounted in a NEMA-1 enclosure with all power and control wiring between the drive and chiller factory-installed. Electrical lugs for incoming copper power wiring are provided.

The variable speed drive provides automatic displacement power factor correction to 0.95 or better at all load conditions. Separate displacement power factor correction capacitors are not required. The displacement power factor is 0.98 or better when the optional harmonic filter is provided. Additionally, variable speed drives have the following advantages:

- Lowest chiller life cycle through part load energy savings
- Application-specific designs enable efficient, precise load control and seamless integration with equipment control panel and BAS
- Soft start with input current less than full load current
- Smooth acceleration reduces stresses on motor and driveline
- Reduces compressor sound levels at most operating conditions
- Rugged and reliable with no moving parts
- IEEE-519 2014 compliant if used with an optional harmonic filter

Standard features include: a door interlocked lockable circuit breaker; UL/cUL listed ground fault protection; over-voltage and under-voltage protection; 3-phase sensing motor over-current protection; single-phase protection; insensitive to phase rotation; over-temperature protection; digital readout at the OptiView™ Control Center of:

- Output Frequency
- Output Voltage
- 3-phase output current
- Input Power (kW)
- Self diagnostic service parameters
- Kilowatt-Hours (kWh)

An optional harmonic filter limits electrical power supply distortion from the variable speed drive to help the building comply with the guidelines of IEEE Std. 519-2014. The filter is unit mounted within the same NEMA-1 enclosure and is UL listed. The following digital readout is standard with the optional filter:

- Input kVA
- Total power-factor
- 3-phase input voltage

## Starters and Drives (Cont'd)

- 3-phase input current
- 3-phase input voltage total harmonic distortion (THD)
- 3-phase input current total demand distortion (TDD)
- Self-diagnostic service parameters

### LOW VOLTAGE VARIABLE SPEED DRIVE WITH QUICK START OPTION

The Quick Start feature is aimed at data centers and process control applications where the goal is to re-establish process cooling as fast as possible after a power failure event. The Quick Start feature does this by reducing the time cycle for chiller restart and by loading the chiller as fast as possible. Once running, its goal is to rapidly achieve the leaving chilled water temperature setpoint. The main objective is to provide minimum downtime and the fastest restart/loading as possible. After the chiller is running and close to setpoint, it will return to standard YK control to minimize risk.

The Quick Start Feature can be used with a UPS (supplied by others) or without a UPS. In order to start the most quickly, the OptiView™ control panel and VSD control circuit (except the trigger board) must be on a UPS. If a slightly longer restart time can be tolerated, the UPS is not required.

Depending on the compressor and the horsepower of the drive, a 3 kVA or 4 kVA UPS (supplied by others) with sine wave output is required to power the OptiView™ and required portions of the VSD control circuit to 115 V – 1 Ø – 60 Hz.

Refer to *Form 160.75-TD4; Quick Start Feature for YK Chillers* for additional information.

**Quick Start Feature Availability** - This feature applies only to YK chillers with Low Voltage Variable Speed Drives.

### MEDIUM VOLTAGE VARIABLE SPEED DRIVE

A variable speed drive is factory-packaged and configured for easy remote mounting. It is designed to vary the compressor motor speed by controlling the frequency and voltage of the electrical power to the motor. The adaptive capacity control logic automatically adjusts motor speed and compressor pre-rotation vane position independently for maximum part load efficiency by analyzing information fed to it by sensors located throughout the chiller.

The variable speed drive is mounted in a NEMA-1 enclosure and comes with a certification label from a nationally recognized testing laboratory. The connection points between the drive and chiller are factory labeled. Electrical lugs for incoming power wiring are NOT provided.

The variable speed drive provides automatic displacement power factor correction to 0.98 or better at all load conditions. Separate displacement power factor correction capacitors are not required. Additional advantages of the variable speed drive are as follows:

- Lowest chiller life cycle through part load energy savings
- Application-specific designs enable efficient, precise load control and seamless integration with equipment control panel and BAS
- Soft start with input current less than full load current
- Smooth acceleration reduces stresses on motor and driveline

## Starters and Drives (Cont'd)

- Reduces compressor sound levels at most operating conditions
- Rugged and reliable with no moving parts
- IEEE-519 2014 compliant with a harmonic filter
- Multilevel PWM output closely simulates a true sine wave, allowing the use of standard motors and bearings

Standard features include: a lockable door interlocked disconnect switch; UL listed ground fault protection; over-voltage and under-voltage protection; 3-phase sensing motor over-current protection; single-phase protection; insensitive to phase rotation; over-temperature protection; digital readout at the Control Center of:

- Output frequency
- 3-phase output voltage
- 3-phase output current
- Input power (kW)
- Self diagnostic service parameters
- Kilowatt-hours (kWh)
- Input KVA
- Total power-factor
- 3-phase input voltage
- 3-phase input current
- Self diagnostic service parameters

The 24 pulse design limits the electrical power supply distortion from the variable speed drive to comply with the guidelines of IEEE Std. 519-2014.

### LOW VOLTAGE SOLID-STATE STARTER

The Low Voltage Solid-State Starter is compact and mounted on the unit. Power and control wiring between the starter and the chiller are factory-installed. Available for 380 - 600 volts (see *Table 2*), the starter enclosure is NEMA-1, with a hinged access door with lock and key. Electrical lugs for incoming copper power wiring are provided.

**TABLE 2 - LOW VOLTAGE SOLID-STATE STARTER**

LV SOLID-STATE STARTER (UNIT MOUNTED)	60 HZ						50 HZ		
	380 V	440 V	460 V	480 V	575 V	600 V	380 V	400 V	415 V
	X	X	X	X	X	X	X	X	X

## Starters and Drives (Cont'd)

Standard Features include digital readout at the Control Center of the following:

### Display Only

- 3-phase input voltage
- 3-phase current
- Input Power (kW)
- Kilowatt-Hours (kWh)
- Starter Model
- Motor Run (LED)
- Motor Current % Full Load Amps
- Current Limit Setpoints
- Pulldown Demand Time Left

### Programmable

- Local Motor Current Limit
- Pulldown Demand Limit
- Pulldown Demand Time

Other features include: low line voltage; 115 V control transformer; three-leg, motor-current-sensing overloads; phase rotation and single-phase failure protection; high temperature safety protection; motor current imbalance and under-voltage safeties; open and shorted SCR protection; momentary power interruption protection. The Solid-State Starter is cooled by a closed-loop, fresh-water-circuit consisting of a water-to-water heat exchanger and a fractional horsepower circulating pump. All interconnecting water piping is factory-installed and rated for 150 psig (10.3 barg) working pressure. Optional electronic trip circuit UL listed circuit breaker with integral ground fault protection is available with short circuit withstand ratings of:

- 65 KA for 460 V, 200 V, 400 V models
- 50 KA for 33 L 575 V models
- 35 KA for 14 L 575 V models
- 22 KA for 7 L 575 V models

A non-fused disconnect switch is also available. Both options are lockable.

### Advantages of Solid-State Starters

- Smooth, controlled start profile
- Unit mounted, factory wired and tested
- Rugged and reliable with no moving parts
- Adjustable acceleration times

## Starters and Drives (Cont'd)

- Reduces compressor sound levels at most operating conditions
- Application-specific designs enable seamless integration with equipment control panel and BAS

### MEDIUM VOLTAGE SOLID-STATE STARTER

The Medium Voltage Solid-State Starter is a reduced voltage in-line bypass starter that controls and maintains a constant current flow to the motor during startup. Power and control wiring between the starter and the chiller for the unit mounted version is factory-installed. Available for 2300 - 4160 volts (see *Table 3*), the starter enclosure is NEMA-1, with a hinged access door with lock and key. Electrical lugs for incoming power wiring are not provided.

**TABLE 3 - MEDIUM VOLTAGE SOLID-STATE STARTER**

MEDIUM VOLTAGE SOLID-STATE STARTER *	60 HZ				50 HZ
	2300 V	3300 V	4000 V	4160 V	3300 V
FLOOR MOUNTED	X	X	X	X	X

\* Unit Mounted version available for Compressor H9 or Larger

\*\* For Higher Voltage contact Application Engineering Department for a Special Quote (SQ)

Standard Features include digital readout at the Control Center of the following:

#### Display Only

- 3-phase input voltage
- 3-phase current
- Input Power (kW)
- Killowatt-Hours (kWh)
- Starter Model
- Motor Run (LED)
- Motor Current % Full Load Amps
- Current Limit Setpoints
- Pulldown Demand Time Left

#### Programmable

- Local Motor Current Limit
- Pulldown Demand Limit
- Pulldown Demand Time



## Starters and Drives (Cont'd)

Other features include: low line voltage; 115 V control transformer; three-leg motor current sensing overloads; phase rotation and single-phase failure protection; high temperature safety protection; motor current imbalance and under-voltage safeties; open and shorted SCR protection; momentary power interruption protection. The Solid-State Starter is air cooled generating about the same heat as an auto-transformer E-M starter. Ground fault protection and surge protection are also standard features. The 50,000 amp short circuit withstand rating is in accordance with UL Standard 508.

### ELECTROMECHANICAL STARTER - (FIELD-INSTALLED)

#### Characteristics

For comparison purposes, here is a description of some of the general characteristics of electromechanical starters. Until the development of the Solid-State Starter, all centrifugal chillers required the use of starters using electromechanical contactors, which are limited to operating totally ON, or totally OFF. There was no alternative to this mechanical equipment with its inability to control applied voltage or power. This contrasts markedly with the YORK® Medium Voltage Solid-State Starter which automatically maintains a predetermined current during starting, regardless of variations in line voltage or motor load, to give optimum acceleration without surges. Even with the addition of transformers, reactors, resistors and additional contactors, timers and relays, the mechanical controllers offer limited adjustment, no positive control during starting and impose an objectionable transition spike. Some also require modified motors. A field-installed, electromechanical compressor motor starter is available, selected for proper size and type for job requirements and in accordance with Johnson Controls Engineering Standard (R-1132) for Starters.

The most common failure mode of mechanical contactors is OFF. This occurs due to the coil open-circuiting or failure of a pole to make an electrical contact when it closes. However, failure in the ON mode is not completely uncommon and can be a more dramatic type of failure, particularly if this failure mode exists at the same time that equipment safety controls are demanding a shutdown.

When contacts are made, the current builds up to its maximum value from zero, but when contacts are separated the current tends to flow through the gap thus formed and causes an arc. This arcing depends upon the voltage between the separating contacts. For medium voltage the use of vacuum contactors mitigates this problem somewhat by providing an environment to extinguish the arc. In the alternating current circuit, the separation of contacts may take place when the current is zero or maximum or at any value in between. An alternating current passes through zero and reverses its polarity twice during each cycle. If two or more contacts, one in each leg of a polyphase system, are separated simultaneously, the current values in each will vary. In a three-phase system, if one contact has zero current when opened, the other two contacts will have 86.6% of their maximum values, as an example. Additionally, when inductive circuits are broken, the voltage is increased at the contacts due to the counter (induced) EMF of the circuit. The instant the contacts separate, the voltage between them momentarily rises from zero to the maximum of the circuit, or higher if inductance is present in the circuit. In practice, every time the contacts close, they bounce. When they bounce, they arc. The arcing that occurs as the contacts make or break may result in rapid and excessive erosion of the contacts, causing prematurely short contact life.

## Starters and Drives (Cont'd)

### Types

YORK® chillers are designed for use with the following types of electromechanical starters, here briefly described.

**Across-the-Line (ACL)** – These are the simplest and lowest-cost starters available. They apply full voltage to the three motor leads at the instant of starting. Since inrush is 100% of LRA and starting torque is 100%, this is the roughest type of starting on the motor and driveline. In physical size, the ACL is the smallest of electromechanical starters and there is no transition surge. In most areas, utilities will not permit the use of this type of starter for chiller-size motors because of their large current draw on startup.

**Auto-Transformer (AT)** – These starters are reduced-voltage starters. Transformers are used to step down the voltage to the motor during startup. The result is reduced inrush current and starting torque at the level of 42% or 64% depending upon whether 65% or 80% voltage taps are used. They provide closed transition (with three-lead motors) with reduced line disturbance.

**Star-Delta Starters** – During starting, the motor is connected in a Star or Wye configuration. This reduces the voltage to the motor stator by a factor of three. This 1/3 voltage results in 1/3 current into the motor at start and 1/3 torque to the shaft. Centrifugal compressor starting torque requirements are low enough to allow the motor to start at 1/3 of full load torque.

Star-Delta starting creates some stresses for the starter's switch-gear, building electrical system, power grid, and chiller mechanical driveline. Although these stresses are 1/3 of the stresses generated by an ACL starter, they cause wear on the system. As a result, Johnson Controls recommends using a Solid State Starter or Variable Speed Drive instead of a Star-Delta starter.

**TABLE 4 - LOW VOLTAGE ELECTROMECHANICAL STARTER**

STARTER OPTIONS	LOW VOLTAGE / FREQUENCY								
LV ACROSS THE LINE (DOL) (FLOOR MOUNTED)	60 HZ					50 HZ			
		380 V	440 V	460 V	480 V	575 V	380 V	400 V	415 V
	X	X	X	X	X	X	X	X	
LV STAR-DELTA CLOSED (FLOOR MOUNTED)	60 HZ					50 HZ			
	380 V	440 V	460 V	480 V	575 V	380 V	400 V	415 V	
	X	X	X	X	X	X	X	X	

**TABLE 5 - MEDIUM VOLTAGE ELECTROMECHANICAL STARTER**

STARTER	MEDIUM VOLTAGE / FREQUENCY														
MV ACROSS THE LINE (DOL) (FLOOR MOUNTED)	60 HZ								50 HZ						
	2300	3300	4000	4160	6000	6600	12470	13200	2300	3000	3300	6000	6600	10000	11000
	X	X	X	X	O	O	O	O	X	X	X	O	O	O	O
MV AUTOTRANSFORMER 65% (FLOOR MOUNTED)	60 HZ								50 HZ						
	2300	3300	4000	4160	6000	6600	12470	13200	2300	3000	3300	6000	6600	10000	11000
	X	X	X	X	O	O	O	O	X	X	X	O	O	O	O
MV AUTOTRANSFORMER 80% (FLOOR MOUNTED)	60 HZ								50 HZ						
	2300	3300	4000	4160	6000	6600	12470	13200	2300	3000	3300	6000	6600	10000	11000
	X	X	X	X	O	O	O	O	X	X	X	O	O	O	O

NOTE: X = Available  
O = SQ

# Accessories and Modifications

## GENERAL ACCESSORIES AND MODIFICATIONS

### Medium Voltage Motors

Medium voltage motors 2300 V to 4160 V / 60 Hz and 3300 V / 50 Hz are generally available for YK units above 400 HP. Voltages above 4160 V may also be used, but will not carry UL certification. Contact your local JCI sales office for a special rating for voltages up to 13,800 V / 60 Hz and up to 11,000 V / 50 Hz.

### SPECIAL MOTORS ENCLOSURES

There are job applications, primarily in manufacturing, comfort cooling plants, and process applications, where more motor protection is required. Listed below are several alternatives. **NOTE:** Chiller certification to UL by a third party could be affected. Contact JCI sales office for a specific selection.

**Weather-Protected Type I Motors (WP-I)** – A Weather-Protected Type I motor is an open machine with its ventilating passages constructed to prevent the passage of a cylindrical rod 3/4-in. (19 mm) in diameter. This affords protection against intrusion of rodents and some types of debris. These are regularly used in the pulp industry and where grime is present.

**Weather-Protected Type II Motors (WP-II)** – A Weather-Protected Type II motor has, in addition to the enclosure defined for Weather-Protected Type I motor, ventilating passages at both intake and exhaust so arranged that high-velocity air and air-borne particles, blown into the motor, can be discharged without entering the internal ventilating passages leading directly to the electric parts of the machine itself. Space heaters are required with WP-II.

**Totally Enclosed Fan-Cooled Motors (TEFC)** – TEFC motors are used where the location is extremely dirty, dusty, or wet, both indoors and outdoors. A totally enclosed fan-cooled unit is enclosed to prevent the free exchange of air between the inside and outside of the case but not sufficiently enclosed as to be termed air-tight. It is air-cooled by means of a fully guarded fan blowing cooling air over the outside of the motor. The fan is externally mounted on the motor shaft.

**Totally Enclosed Air-to-Air Cooled (TEAAC)** – TEAAC motors are used when the environment is dirty or corrosive. A TEAAC motor is a totally enclosed motor, cooled by circulating the internal air through an air-to-air heat exchanger.

**Totally Enclosed Water-to-Air Cooled (TEWAC)** – TEWAC motors are used when the environment is dirty or corrosive, in hazardous areas, or where minimum noise levels are required. A TEWAC motor is a totally enclosed machine which is cooled by circulating internal air which, in turn, is cooled by circulating water. It is provided with an internal water-cooled heat exchanger for cooling the internal air and fans, integral with the rotor shaft for circulating the internal air.

## ***Accessories and Modifications (Cont'd)***

### **FACTORY INSULATION OF EVAPORATOR**

Factory-applied thermal insulation of the flexible, closed-cell plastic type, 3/4 in. (19 mm) thick is attached with vapor-proof cement to the evaporator shell, flow chamber, tube sheets, suction connection, and (as necessary) to the auxiliary tubing. Not included is the insulation of compact waterboxes and nozzles. This insulation will normally prevent condensation in environments with relative humidities up to 75% and dry bulb temperatures ranging from 50°F to 90°F (10°C to 32.2°C). 1 1/2 in. (38 mm) thick insulation is also available for relative humidities up to 90% and dry bulb temperatures ranging from 50°F to 90°F (10°C to 32.2°C).

### **WATER FLANGES**

Four 150 lb (68 kg) ANSI raised-face flanges for condenser and evaporator water connections are factory-welded to water nozzles. Companion flanges, bolts, nuts and gaskets are not included.

### **SPRING ISOLATION MOUNTING**

Spring isolation mounting is available instead of standard isolation mounting pads when desired. Four level-adjusting, spring-type vibration isolator assemblies with non-skid pads are provided for field-installation. Isolators are designed for 1 in. (25 mm) deflection.

### **MARINE WATERBOXES**

Marine waterboxes allow service access for cleaning of the heat exchanger tubes without the need to break the water piping. Bolted-on covers are arranged for convenient access. ANSI/AWWA C-606 nozzle connections are standard; flanges are optional. Marine waterboxes are available for condenser and/or evaporator.

## ***Accessories and Modifications (Cont'd)***

### **KNOCK-DOWN SHIPMENT**

The chiller can be shipped knocked down into major subassemblies (evaporator, condenser, driveline, and others) as required to rig into tight spaces. This is particularly convenient for existing buildings where equipment room access does not allow rigging a factory-packaged chiller.

### **REFRIGERANT ISOLATION VALVES**

Optional factory-installed isolation valves in the compressor discharge line and refrigerant liquid line are available. This allows isolation and storage of the refrigerant charge in the chiller condenser during servicing, eliminating time-consuming transfers to remote storage vessels. Both valves are positive shut-off, assuring integrity of the storage system.

### **REFRIGERANT STORAGE/RECYCLING SYSTEM**

A refrigerant storage/recycling system is a self-contained package consisting of a refrigerant compressor with oil separator, storage receiver, water-cooled condenser, filter drier and necessary valves and hoses to remove, replace and distill refrigerant. All necessary controls and safety devices are a permanent part of the system. A storage receiver is typically not required if optional unit isolation valves are provided.

### **HIGH AMBIENT TEMPERATURE**

Chiller modifications are available to allow for installation in high ambients of up to 122°F (50°C). Special drive motors are required above 104°F (40°C). The OptiView™ panel is suited for 122°F (50°C). Low voltage VSD should be reviewed via SQ for applications above 104°F (40°C). The free standing MVVSD option must be derated above its standard 104°F (40°C) limit.

## Accessories and Modifications (Cont'd)

### OPTISOUND™ CONTROL

The YORK® OptiSound™ Control is a patented combination of centrifugal-chiller hardware and software that reduces operational sound levels, expands the chiller operating range, and improves chiller performance. The OptiSound™ Control feature continuously monitors the characteristics of the compressor-discharge gas and optimizes the diffuser spacing to minimize gas-flow disruptions from the impeller. This innovative technology improves operating sound levels of the chiller an average of 7 dBA, and up to 13 dBA on the largest models. It can also reduce part-load sound levels below the full-load level. See *Figure 1 - Typical Optimized Centrifugal Compressor* on page 38.

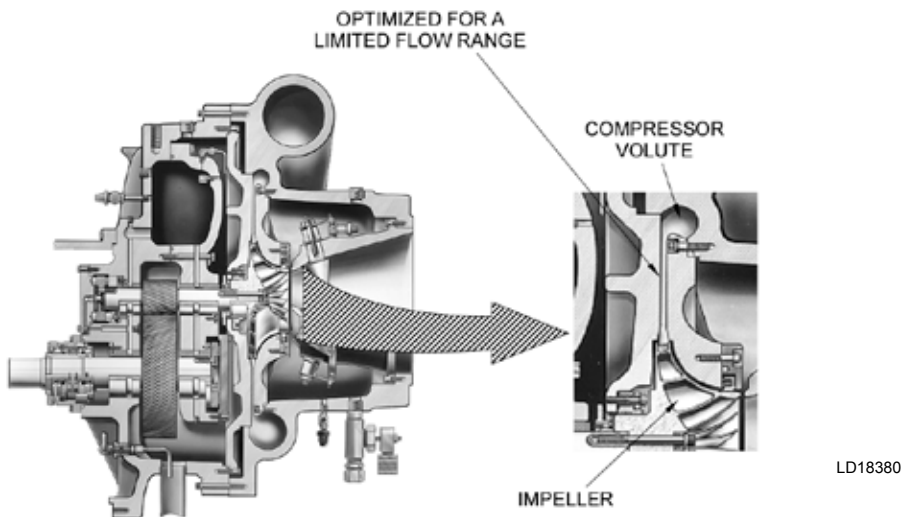
In addition, the OptiSound™ Control provides the benefit of an expanded operating range. It improves performance and reliability by minimizing diffuser-gas stall at off-design operation, particularly conditions of very low load combined with little or no condenser-water relief. The elimination of the gas-stall condition can also result in improved chiller efficiency at off-design conditions.

Johnson Controls recommends the OptiSound™ Control for chiller applications with elevated entering condenser-water temperatures (high-head) or applications requiring low-load operation with constant condenser temperature. At high-head conditions, improved chiller operation is visible at all load points.

### OptiSound™ Control Availability

Optional on all Q series compressors.

Standard on compressors H9, P8, P9, K1, K2, K3, K4, K7.



**FIGURE 1 - TYPICAL OPTIMIZED CENTRIFUGAL COMPRESSOR**

## Application Data

The following section is a user's guide in the application and installation of YK chillers to ensure the reliable, trouble free life for which this equipment was designed. While this guide is directed towards normal, water chilling applications, the Johnson Controls sales representative can provide complete recommendations on other types of applications.

### LOCATION

YK chillers are virtually vibration free and may generally be located at any level in a building where the construction will support the total system operating weight.

The unit site must be a floor, mounting pad or foundation which is level within 1/4 in. (6.4 mm) and capable of supporting the operating weight of the unit.

Sufficient clearance to permit normal service and maintenance work should be provided all around and above the unit. Additional space should be provided at one end of the unit to permit cleaning of evaporator and condenser tubes as required. A doorway or other properly located opening may be used.

The chiller should be installed in an indoor location where temperatures range from 40°F to 104°F (4.4°C to 40°C). The dew point temperature in the equipment room must be below the entering condenser water temperature to prevent condensing water vapor inside of the low voltage VSD or low voltage SSS cabinet (if applicable). Applications using cooling sources other than evaporative or closed loop air exchange methods need to request a factory-supplied temperature control valve to prevent condensation inside the VSD or SSS cabinet. Other areas susceptible to water vapor condensate are outside of the condenser shell and condenser water boxes. Example applications include cooling condenser water using chilled water, wells, river or other low temperature fluids.

For outdoor applications, contact the Johnson Controls Chiller Applications Team.

### WATER CIRCUITS

**Flow Rate** – For normal water chilling duty, evaporator and condenser flow rates are permitted at water velocity levels in the heat exchangers tubes of between 3 fps (0.91 m/s) [3.3 fps (1.0 m/s) for condensers] and 12 fps (3.66 m/s). Two pass units are also limited to 45 ft H<sub>2</sub>O (134 kPa) water pressure drop. The three pass limit is 67.5 ft H<sub>2</sub>O (201 kPa).

Variable flow in the condenser is not recommended, as it generally raises the energy consumption of the system by keeping the condenser pressure high in the chiller. Additionally, the rate of fouling in the condenser will increase at lower water velocities associated with variable flow, raising system maintenance costs. Cooling towers typically have narrow ranges of operation with respect to flow rates, and will be more effective with full design flow. See *Table 6 on page 41* for flow limits at design conditions.

There is increasing interest to use variable primary flow (VPF) systems in large chilled water plants. VPF systems can offer lower installation and operating costs in many cases, but do require more sophisticated control and flow monitoring.

## ***Application Data (Cont'd)***

YORK® YK Style H chillers will operate successfully in VPF systems. With a minimum allowable evaporator tube velocity of 1-1/2 fps (0.5 m/s) for standard tubes at part-load rating conditions, YK chillers will accommodate the wide variation in flow required by many chilled water VPF applications.

The chillers can tolerate a 50% flow rate change in one minute that is typically associated with the staging on or off of an additional chiller, however a lower flow rate change is normally used for better system stability and set point control. Proper sequencing via the building automation system will make this a very smooth transition.

**Temperature Ranges** – For normal water chilling duty, leaving chilled water temperatures may be selected between 36°F (2.2°C) and 72°F (22.2°C) to obtain temperature deltas between entering chilled and leaving chilled water temperature of 3°F up to 30°F (1.7°C and 16.7°C).

**Water Quality** – The practical and economical application of liquid chillers requires that the quality of the water supply for the condenser and evaporator be analyzed by a water treatment specialist. Water quality may affect the performance of any chiller through corrosion, deposition of heat resistant scale, sedimentation or organic growth. These will degrade chiller performance and increase operating and maintenance costs. Normally, performance may be maintained by corrective water treatment and periodic cleaning of tubes. If water conditions exist which cannot be corrected by proper water treatment, it may be necessary to provide a larger allowance for fouling, and/or to specify special materials of construction.

**General Piping** – All chilled water and condenser water piping should be designed and installed in accordance with accepted piping practice. Chilled water and condenser water pumps should be located to discharge through the chiller to assure positive pressure and flow through the unit. Piping should include offsets to provide flexibility and should be arranged to prevent drainage of water from the evaporator and condenser when the pumps are shut off. Piping should be adequately supported and braced independently of the chiller to avoid the imposition of strain on chiller components. Hangers must allow for alignment of the pipe. Isolators in the piping and in the hangers are highly desirable in achieving sound and vibration control.

**Convenience Considerations** – To facilitate the performance of routine maintenance work, some or all of the following steps may be taken by the purchaser. Evaporator and condenser waterboxes are equipped with plugged vent and drain connections. If required, vent and drain valves may be installed with or without piping to an open drain. Pressure gauges with stop cocks and stop valves may be installed in the inlets and outlets of the condenser and chilled water line as close as possible to the chiller. An overhead monorail or beam may be used to facilitate servicing.

**Connections** – The standard chiller is designed for 150 psig (10.3 barg) design working pressure in both the chilled water and condenser water circuits. The connections (water nozzles) to these circuits are furnished with grooves to ANSI/AWWA C-606 Standard for grooved and shouldered joints. Piping should be arranged for ease of disassembly at the unit for tube cleaning. All water piping should be thoroughly cleaned of all dirt and debris before final connections are made to the chiller.



## Application Data (Cont'd)

**TABLE 6 - WATER FLOW RATE LIMITS GPM (L/S) – BASED UPON STANDARD TUBES (MTI NUMBERS FOR 1. CONDENSER: 3/4-IN.=471 AND 1-IN.=266; 2. EVAPORATOR: 3/4-IN.=481 AND 1-IN.=656) @ DESIGN FULL LOAD CONDITIONS**

EVAPORATOR							CONDENSER						
MODEL	1 PASS		2 PASS		3 PASS		MODEL	1 PASS		2 PASS		3 PASS	
	MIN	MAX	MIN	MAX	MIN	MAX		MIN	MAX	MIN	MAX	MIN	MAX
2C	489 (31)	1956 (123)	244 (15)	745 (47)	–	–	2P	500 (32)	1801 (114)	250 (16)	834 (53)	167 (11)	563 (36)
2D	575 (36)	2299 (145)	287 (18)	867 (55)	–	–	2Q	630 (40)	2269 (143)	315 (20)	1029 (65)	210 (13)	705 (44)
2E	679 (43)	2718 (171)	340 (21)	1010 (64)	–	–	2R	701 (44)	2526 (159)	351 (22)	1131 (71)	234 (15)	782 (49)
–	–	–	–	–	–	–	2S	792 (50)	2854 (180)	396 (25)	1254 (79)	–	–
–	–	–	–	–	–	–	22	604 (38)	2175 (137)	302 (19)	1088 (69)	201 (13)	725 (46)
–	–	–	–	–	–	–	23	839 (53)	3024 (191)	420 (26)	1512 (95)	–	–
–	–	–	–	–	–	–	–	–	–	–	–	–	–
4C	743 (47)	2972 (187)	371 (23)	1141 (72)	–	–	4P	828 (52)	2983 (188)	414 (26)	1388 (88)	276 (17)	915 (58)
4D	835 (53)	3340 (211)	417 (26)	1275 (80)	–	–	4Q	948 (60)	3415 (215)	474 (30)	1574 (99)	316 (20)	1038 (65)
4E	883 (56)	3530 (223)	441 (28)	1344 (85)	–	–	4R	1178 (74)	4246 (268)	589 (37)	1914 (121)	393 (25)	1264 (80)
4F	918 (58)	3670 (232)	459 (29)	1394 (88)	–	–	4S	1464 (92)	5275 (333)	732 (46)	2303 (145)	–	–
4G	1029 (65)	4115 (260)	514 (32)	1551 (98)	–	–	42	941 (59)	3390 (214)	470 (30)	1695 (107)	314 (20)	1130 (71)
4H	1079 (68)	4318 (272)	540 (34)	1621 (102)	–	–	43	1089 (69)	3926 (248)	545 (34)	1963 (124)	–	–
4I	1156 (73)	4623 (292)	578 (36)	1725 (109)	–	–	44	1220 (77)	4395 (277)	610 (38)	2197 (139)	–	–
–	–	–	–	–	–	–	45	1350 (85)	4864 (307)	675 (43)	2432 (153)	–	–
–	–	–	–	–	–	–	–	–	–	–	–	–	–
6A/6W*	994 (63)	3975 (251)	497 (31)	1535 (97)	–	–	6P	1152 (73)	4152 (262)	576 (36)	1946 (123)	384 (24)	1289 (81)
6B	1079 (68)	4318 (272)	540 (34)	1663 (105)	–	–	6Q	1383 (87)	4983 (314)	691 (44)	2309 (146)	461 (29)	1534 (97)
6C	1267 (80)	5067 (320)	633 (40)	1938 (122)	–	–	6R	1629 (103)	5872 (370)	815 (51)	2683 (169)	543 (34)	1789 (113)
6D/6X*	1365 (86)	5461 (345)	683 (43)	2080 (131)	–	–	6S	1801 (114)	6491 (410)	901 (57)	2934 (185)	600 (38)	1962 (124)
6E	1505 (95)	6020 (380)	752 (47)	2279 (144)	–	–	6T	2003 (126)	7217 (455)	1001 (63)	3217 (203)	–	–
6F	1581 (100)	6324 (399)	791 (50)	2386 (151)	–	–	63	1387 (88)	4998 (315)	693 (44)	2499 (158)	462 (29)	1666 (105)
–	–	–	–	–	–	–	64	1709 (108)	6160 (389)	855 (54)	3080 (194)	–	–

NOTES: – Not available at this time.

\* Available from Wuxi source.

## Application Data (Cont'd)

**TABLE 6 - WATER FLOW RATE LIMITS GPM (L/S) – BASED UPON STANDARD TUBES (MTI NUMBERS FOR 1. CONDENSER: 3/4-IN.=471 AND 1-IN.=266; 2. EVAPORATOR: 3/4-IN.=481 AND 1-IN.=656) @ DESIGN FULL LOAD CONDITIONS (CONT'D)**

EVAPORATOR							CONDENSER						
MODEL	1 PASS		2 PASS		3 PASS		MODEL	1 PASS		2 PASS		3 PASS	
	MIN	MAX	MIN	MAX	MIN	MAX		MIN	MAX	MIN	MAX	MIN	MAX
GK	1111 (70)	4445 (280)	556 (35)	1710 (108)	370 (23)	1126 (71)	EC	1224 (77)	4410 (278)	612 (39)	2060 (130)	408 (26)	1365 (86)
GL	1206 (76)	4826 (304)	603 (38)	1850 (117)	402 (25)	1220 (77)	EE	1402 (88)	5053 (319)	701 (44)	2339 (148)	467 (29)	1554 (98)
GN	1270 (80)	5080 (320)	635 (40)	1942 (123)	423 (27)	1281 (81)	EG	1548 (98)	5579 (352)	774 (49)	2561 (162)	-	-
GP	1365 (86)	5461 (345)	683 (43)	2080 (131)	455 (29)	1374 (87)	EK	1905 (120)	6866 (433)	953 (60)	3082 (194)	-	-
GC	1460 (92)	5842 (369)	730 (46)	2216 (140)	-	-	EL	2061 (130)	7427 (469)	1031 (65)	3297 (208)	-	-
GE	1540 (97)	6159 (389)	770 (49)	2328 (147)	-	-	E1	1483 (94)	5344 (337)	741 (47)	2672 (169)	494 (31)	1781 (112)
G5	906 (57)	3625 (229)	453 (29)	1735 (109)	302 (19)	1142 (72)	E3	1594 (101)	5746 (362)	797 (50)	2873 (181)	531 (34)	1915 (121)
G7	1027 (65)	4108 (259)	514 (32)	1955 (123)	342 (22)	1289 (81)	E5	1718 (108)	6192 (391)	859 (54)	3096 (195)	573 (36)	2064 (130)
G9	1148 (72)	4592 (290)	574 (36)	2172 (137)	383 (24)	1435 (91)	E6	1842 (116)	6639 (419)	921 (58)	3320 (209)	-	-
G1	1269 (80)	5075 (320)	634 (40)	2385 (150)	-	-	E7	1966 (124)	7086 (447)	983 (62)	3543 (224)	-	-
G3	1444 (91)	5776 (364)	722 (46)	2685 (169)	-	-	E9	2097 (132)	7555 (477)	1048 (66)	3778 (238)	-	-
-	-	-	-	-	-	-	-	-	-	-	-	-	-
HK	1111 (70)	4445 (280)	556 (35)	1583 (100)	370 (23)	1042 (66)	FC	1224 (77)	4410 (278)	612 (39)	1901 (120)	408 (26)	1259 (79)
HL	1206 (76)	4826 (304)	603 (38)	1713 (108)	402 (25)	1129 (71)	FE	1402 (88)	5053 (319)	701 (44)	2161 (136)	467 (29)	1434 (90)
HN	1270 (80)	5080 (320)	635 (40)	1800 (114)	423 (27)	1186 (75)	FG	1548 (98)	5579 (352)	774 (49)	2369 (149)	-	-
HP	1365 (86)	5461 (345)	683 (43)	1928 (122)	455 (29)	1272 (80)	FK	1905 (120)	6866 (433)	953 (60)	2860 (180)	-	-
HC	1460 (92)	5842 (369)	730 (46)	2056 (130)	-	-	FL	2061 (130)	7427 (469)	1031 (65)	3064 (193)	-	-
HE	1540 (97)	6159 (389)	770 (49)	2161 (136)	-	-	F1	1483 (94)	5344 (337)	741 (47)	2672 (169)	494 (31)	1781 (112)
H5	906 (57)	3625 (229)	453 (29)	1608 (101)	302 (19)	1058 (67)	F3	1594 (101)	5746 (362)	797 (50)	2873 (181)	531 (34)	1915 (121)
H7	1027 (65)	4108 (259)	514 (32)	1814 (114)	342 (22)	1195 (75)	F5	1718 (108)	6192 (391)	859 (54)	3096 (195)	573 (36)	2064 (130)
H9	1148 (72)	4592 (290)	574 (36)	2017 (127)	383 (24)	1331 (84)	F6	1842 (116)	6639 (419)	921 (58)	3320 (209)	-	-
H1	1269 (80)	5075 (320)	634 (40)	2216 (140)	-	-	F7	1966 (124)	7086 (447)	983 (62)	3543 (224)	-	-
H3	1444 (91)	5776 (364)	722 (46)	2499 (158)	-	-	F9	2097 (132)	7555 (477)	1048 (66)	3778 (238)	-	-
KC	1651 (104)	6604 (417)	825 (52)	2349 (148)	550 (35)	1526 (96)	KC	1983 (125)	7146 (451)	992 (63)	3060 (193)	661 (42)	2037 (129)

## Application Data (Cont'd)

**TABLE 6 - WATER FLOW RATE LIMITS GPM (L/S) – BASED UPON STANDARD TUBES (MTI NUMBERS FOR 1. CONDENSER: 3/4-IN.=471 AND 1-IN.=266; 2. EVAPORATOR: 3/4-IN.=481 AND 1-IN.=656) @ DESIGN FULL LOAD CONDITIONS (CONT'D)**

EVAPORATOR							CONDENSER						
MODEL	1 PASS		2 PASS		3 PASS		MODEL	1 PASS		2 PASS		3 PASS	
	MIN	MAX	MIN	MAX	MIN	MAX		MIN	MAX	MIN	MAX	MIN	MAX
KE	1841 (116)	7366 (465)	921 (58)	2609 (165)	614 (39)	1692 (107)	KE	2194 (138)	7907 (499)	1097 (69)	3362 (212)	731 (46)	2244 (142)
KG	1965 (124)	7861 (496)	983 (62)	2776 (175)	–	–	KG	2389 (151)	8609 (543)	1194 (75)	3635 (229)	796 (50)	2433 (153)
KK	2127 (134)	8509 (537)	1064 (67)	2992 (189)	709 (45)	1934 (122)	KK	2584 (163)	9310 (587)	1292 (81)	3903 (246)	–	–
KL	2314 (146)	9258 (584)	1157 (73)	3239 (204)	–	–	KL	2934 (185)	10574 (667)	1467 (93)	4369 (276)	–	–
K1	1510 (95)	6042 (381)	755 (48)	2666 (168)	503 (32)	1727 (109)	K0	1920 (121)	6920 (437)	960 (61)	3460 (218)	640 (40)	2307 (146)
K3	1631 (103)	6525 (412)	816 (51)	2868 (181)	544 (34)	1855 (117)	K1	2106 (133)	7590 (479)	1053 (66)	3795 (239)	702 (44)	2530 (160)
K5	1873 (118)	7491 (473)	936 (59)	3266 (206)	–	–	K2	2230 (141)	8037 (507)	1115 (70)	4018 (254)	743 (47)	2679 (169)
K7	1951 (123)	7806 (492)	976 (62)	3394 (214)	–	–	K3	2354 (149)	8483 (535)	1177 (74)	4242 (268)	785 (50)	2828 (178)
K9	2392 (151)	9570 (604)	1196 (75)	4087 (258)	–	–	K5	2478 (156)	8930 (563)	1239 (78)	4465 (282)	–	–
–	–	–	–	–	–	–	K7	2646 (167)	9533 (601)	1323 (83)	4767 (301)	–	–
–	–	–	–	–	–	–	K9	2931 (185)	10561 (666)	1465 (92)	5280 (333)	–	–
–	–	–	–	–	–	–	–	–	–	–	–	–	–
LC	1651 (104)	6604 (417)	825 (52)	2196 (139)	550 (35)	1429 (90)	LC	1983 (125)	7146 (451)	992 (63)	2854 (180)	661 (42)	1897 (120)
LE	1841 (116)	7366 (465)	921 (58)	2441 (154)	614 (39)	1585 (100)	LE	2194 (138)	7907 (499)	1097 (69)	3138 (198)	731 (46)	2091 (132)
LG	1965 (124)	7861 (496)	983 (62)	2598 (164)	–	–	LG	2389 (151)	8609 (543)	1194 (75)	3396 (214)	796 (50)	2268 (143)
LK	2127 (134)	8509 (537)	1064 (67)	2802 (177)	709 (45)	1814 (114)	LK	2584 (163)	9310 (587)	1292 (81)	3649 (230)	–	–
LL	2314 (146)	9258 (584)	1157 (73)	3035 (191)	–	–	LL	2934 (185)	10574 (667)	1467 (93)	4092 (258)	–	–
L1	1510 (95)	6042 (381)	755 (48)	2496 (157)	503 (32)	1620 (102)	L0	1920 (121)	6920 (437)	960 (61)	3460 (218)	640 (40)	2307 (146)
L3	1631 (103)	6525 (412)	816 (51)	2687 (170)	544 (34)	1741 (110)	L1	2106 (133)	7590 (479)	1053 (66)	3795 (239)	702 (44)	2530 (160)
L5	1873 (118)	7491 (473)	936 (59)	3063 (193)	–	–	L2	2230 (141)	8037 (507)	1115 (70)	4018 (254)	743 (47)	2679 (169)
L7	1951 (123)	7806 (492)	976 (62)	3184 (201)	–	–	L3	2354 (149)	8483 (535)	1177 (74)	4242 (268)	785 (50)	2828 (178)
L9	2392 (151)	9570 (604)	1196 (75)	3842 (242)	–	–	L5	2478 (156)	8930 (563)	1239 (78)	4465 (282)	–	–
–	–	–	–	–	–	–	L7	2646 (167)	9533 (601)	1323 (83)	4767 (301)	–	–
–	–	–	–	–	–	–	L9	2931 (185)	10561 (666)	1465 (92)	5264 (332)	–	–

## Application Data (Cont'd)

**TABLE 6 - WATER FLOW RATE LIMITS GPM (L/S) – BASED UPON STANDARD TUBES (MTI NUMBERS FOR 1. CONDENSER: 3/4-IN.=471 AND 1-IN.=266; 2. EVAPORATOR: 3/4-IN.=481 AND 1.1N=656) @ DESIGN FULL LOAD CONDITIONS (CONT'D)**

EVAPORATOR							CONDENSER						
MODEL	1 PASS		2 PASS		3 PASS		MODEL	1 PASS		2 PASS		3 PASS	
	MIN	MAX	MIN	MAX	MIN	MAX		MIN	MAX	MIN	MAX	MIN	MAX
-	-	-	-	-	-	-	-	-	-	-	-	-	-
MC	2095 (132)	8382 (529)	1048 (66)	2950 (186)	698 (44)	1954 (123)	-	-	-	-	-	-	-
ME	2222 (140)	8890 (561)	1111 (70)	3118 (197)	741 (47)	2068 (130)	-	-	-	-	-	-	-
MG	2384 (150)	9537 (602)	1192 (75)	3330 (210)	-	-	-	-	-	-	-	-	-
M1	2054 (130)	8216 (518)	1027 (65)	3558 (224)	685 (43)	2367 (149)	-	-	-	-	-	-	-
M3	2266 (143)	9062 (572)	1133 (71)	3891 (245)	-	-	-	-	-	-	-	-	-
M5	2435 (154)	9739 (614)	1217 (77)	4151 (262)	-	-	-	-	-	-	-	-	-
-	-	-	-	-	-	-	-	-	-	-	-	-	-
NC	2095 (132)	8382 (529)	1048 (66)	2762 (174)	698 (44)	1827 (115)	-	-	-	-	-	-	-
NE	2222 (140)	8890 (561)	1111 (70)	2921 (184)	741 (47)	1934 (122)	-	-	-	-	-	-	-
NG	2384 (150)	9537 (602)	1192 (75)	3121 (197)	-	-	-	-	-	-	-	-	-
N1	2054 (130)	8216 (518)	1027 (65)	3340 (211)	685 (43)	2218 (140)	-	-	-	-	-	-	-
N3	2266 (143)	9062 (572)	1133 (71)	3656 (231)	-	-	-	-	-	-	-	-	-
N5	2435 (154)	9739 (614)	1217 (77)	3903 (246)	-	-	-	-	-	-	-	-	-
-	-	-	-	-	-	-	-	-	-	-	-	-	-
OC	2222 (140)	8890 (561)	1111 (70)	3118 (197)	741 (47)	2068 (130)	OC	2921 (184)	10527 (664)	1461 (92)	4444 (280)	974 (61)	2935 (185)
OE	2413 (152)	9652 (609)	1206 (76)	3367 (212)	804 (51)	2238 (141)	OE	3116 (197)	11228 (708)	1558 (98)	4712 (297)	1039 (66)	3113 (196)
OG	2556 (161)	10223 (645)	1278 (81)	3551 (224)	-	-	OG	3311 (209)	11930 (753)	1655 (104)	4975 (314)	-	-
OK	2699 (170)	10794 (681)	1349 (85)	3733 (236)	-	-	OK	3505 (221)	12632 (797)	1753 (111)	5232 (330)	-	-
OL	3042 (192)	12166 (768)	1521 (96)	4158 (262)	-	-	OL	3810 (240)	13732 (866)	1905 (120)	5626 (355)	-	-
O1	2326 (147)	9304 (587)	1163 (73)	3985 (251)	775 (49)	2662 (168)	O1	2742 (173)	9881 (623)	1371 (86)	4941 (312)	914 (58)	3294 (208)
O3	2417 (152)	9666 (610)	1208 (76)	4124 (260)	806 (51)	2759 (174)	O3	3114 (196)	11221 (708)	1557 (98)	5611 (354)	1038 (65)	3740 (236)
O5	2640 (167)	10561 (666)	1320 (83)	4459 (281)	-	-	O5	3362 (212)	12115 (764)	1681 (106)	6057 (382)	-	-
O7	2900 (183)	11600 (732)	1450 (91)	4836 (305)	967 (61)	3262 (206)	O7	3610 (228)	13008 (821)	1805 (114)	6504 (410)	-	-
O9	3184 (201)	12736 (803)	1592 (100)	5232 (330)	-	-	O9	3926 (248)	14147 (893)	1963 (124)	7074 (446)	-	-

## Application Data (Cont'd)

**TABLE 6 - WATER FLOW RATE LIMITS GPM (L/S) – BASED UPON STANDARD TUBES (MTI NUMBERS FOR 1. CONDENSER: 3/4-IN.=471 AND 1-IN.=266; 2. EVAPORATOR: 3/4-IN.=481 AND 1-IN.=656) @ DESIGN FULL LOAD CONDITIONS (CONT'D)**

EVAPORATOR							CONDENSER						
MODEL	1 PASS		2 PASS		3 PASS		MODEL	1 PASS		2 PASS		3 PASS	
	MIN	MAX	MIN	MAX	MIN	MAX		MIN	MAX	MIN	MAX	MIN	MAX
-	-	-	-	-	-	-	-	-	-	-	-	-	-
PC	2222 (140)	8890 (561)	1111 (70)	2921 (184)	741 (47)	1934 (122)	PC	2921 (184)	10527 (664)	1461 (92)	4152 (262)	974 (61)	2741 (173)
PE	2413 (152)	9652 (609)	1206 (76)	3156 (199)	804 (51)	2094 (132)	PE	3116 (197)	11228 (708)	1558 (98)	4405 (278)	1039 (66)	2909 (184)
PG	2556 (161)	10223 (645)	1278 (81)	3330 (210)	-	-	PG	3311 (209)	11930 (753)	1655 (104)	4655 (294)	-	-
PK	2699 (170)	10794 (681)	1349 (85)	3502 (221)	-	-	PK	3505 (221)	12632 (797)	1753 (111)	4900 (309)	-	-
PL	3042 (192)	12166 (768)	1521 (96)	3907 (246)	-	-	PL	3810 (240)	13732 (866)	1905 (120)	5275 (333)	-	-
P1	2326 (147)	9304 (587)	1163 (73)	3745 (236)	775 (49)	2496 (157)	P1	2742 (173)	9881 (623)	1371 (86)	4941 (312)	914 (58)	3294 (208)
P3	2417 (152)	9666 (610)	1208 (76)	3877 (245)	806 (51)	2588 (163)	P3	3114 (196)	11221 (708)	1557 (98)	5611 (354)	1038 (65)	3740 (236)
P5	2640 (167)	10561 (666)	1320 (83)	4198 (265)	-	-	P5	3362 (212)	12115 (764)	1681 (106)	6057 (382)	-	-
P7	2900 (183)	11600 (732)	1450 (91)	4559 (288)	967 (61)	3065 (193)	P7	3610 (228)	13008 (821)	1805 (114)	6463 (408)	-	-
P9	3184 (201)	12736 (803)	1592 (100)	4940 (312)	-	-	P9	3926 (248)	14147 (893)	1963 (124)	6926 (437)	-	-
-	-	-	-	-	-	-	-	-	-	-	-	-	-
QC	2413 (152)	9652 (609)	1206 (76)	3407 (215)	804 (51)	2264 (143)	QC	2986 (188)	10761 (679)	1493 (94)	4534 (286)	995 (63)	3062 (193)
QE	2603 (164)	10414 (657)	1302 (82)	3662 (231)	868 (55)	2439 (154)	QE	3635 (229)	13100 (826)	1818 (115)	5402 (341)	1212 (76)	3690 (233)
QG	2794 (176)	11175 (705)	1397 (88)	3913 (247)	931 (59)	2612 (165)	QG	3830 (242)	13802 (871)	1915 (121)	5651 (357)	-	-
QK	3016 (190)	12064 (761)	1508 (95)	4201 (265)	1005 (63)	2813 (177)	QK	4057 (256)	14620 (922)	2029 (128)	5935 (374)	-	-
QL	3210 (203)	12839 (810)	1605 (101)	4449 (281)	-	-	QL	4255 (268)	15334 (967)	2128 (134)	6177 (390)	-	-
Q3	2537 (160)	10150 (640)	1269 (80)	4391 (277)	846 (53)	2944 (186)	Q1	3300 (208)	11891 (750)	1650 (104)	5946 (375)	1100 (69)	3964 (250)
Q5	2900 (183)	11600 (732)	1450 (91)	4957 (313)	967 (61)	3345 (211)	Q3	3548 (224)	12785 (807)	1774 (112)	6392 (403)	1183 (75)	4262 (269)
Q7	3081 (194)	12325 (778)	1541 (97)	5232 (330)	1027 (65)	3543 (224)	Q5	3796 (239)	13678 (863)	1898 (120)	6839 (431)	1265 (80)	4559 (288)
Q9	3317 (209)	13267 (837)	1658 (105)	5581 (352)	-	-	Q7	4044 (255)	14572 (919)	2022 (128)	7286 (460)	-	-
-	-	-	-	-	-	-	Q9	4273 (270)	15398 (971)	2137 (135)	7699 (486)	-	-
-	-	-	-	-	-	-	-	-	-	-	-	-	-
RC	2413 (152)	9652 (609)	1206 (76)	3189 (201)	804 (51)	2115 (133)	RC	2986 (188)	10761 (679)	1493 (94)	4237 (267)	995 (63)	2852 (180)
RE	2603 (164)	10414 (657)	1302 (82)	3428 (216)	868 (55)	2279 (144)	RE	3635 (229)	13100 (826)	1818 (115)	5061 (319)	1212 (76)	3442 (217)

## Application Data (Cont'd)

**TABLE 6 - WATER FLOW RATE LIMITS GPM (L/S) – BASED UPON STANDARD TUBES (MTI NUMBERS FOR 1. CONDENSER: 3/4-IN.=471 AND 1-IN.=266; 2. EVAPORATOR: 3/4-IN.=481 AND 1-IN.=656) @ DESIGN FULL LOAD CONDITIONS (CONT'D)**

EVAPORATOR							CONDENSER						
MODEL	1 PASS		2 PASS		3 PASS		MODEL	1 PASS		2 PASS		3 PASS	
	MIN	MAX	MIN	MAX	MIN	MAX		MIN	MAX	MIN	MAX	MIN	MAX
RG	2794 (176)	11175 (705)	1397 (88)	3665 (231)	931 (59)	2441 (154)	RG	3830 (242)	13802 (871)	1915 (121)	5299 (334)	-	-
RK	3016 (190)	12064 (761)	1508 (95)	3938 (248)	1005 (63)	2630 (166)	RK	4057 (256)	14620 (922)	2029 (128)	5571 (351)	-	-
RL	3210 (203)	12839 (810)	1605 (101)	4173 (263)	-	-	RL	4255 (268)	15334 (967)	2128 (134)	5803 (366)	-	-
R3	2537 (160)	10150 (640)	1269 (80)	4122 (260)	846 (53)	2756 (174)	R1	3300 (208)	11891 (750)	1650 (104)	5946 (375)	1100 (69)	3964 (250)
R4	2640 (167)	10561 (666)	1320 (83)	4276 (270)	880 (56)	2864 (181)	R3	3548 (224)	12785 (807)	1774 (112)	6370 (402)	1183 (75)	4262 (269)
R5	2900 (183)	11600 (732)	1450 (91)	4659 (294)	967 (61)	3134 (198)	R5	3796 (239)	13678 (863)	1898 (120)	6738 (425)	1265 (80)	4559 (288)
R7	3081 (194)	12325 (778)	1541 (97)	4922 (311)	1027 (65)	3321 (210)	R7	4044 (255)	14572 (919)	2022 (128)	7092 (447)	-	-
R9	3317 (209)	13267 (837)	1658 (105)	5256 (332)	-	-	R9	4273 (270)	15398 (971)	2137 (135)	7407 (467)	-	-
SC	3765 (238)	15061 (950)	1883 (119)	4935 (311)	1255 (79)	3281 (207)	SC	3950 (249)	14234 (898)	1975 (125)	5695 (359)	1317 (83)	3761 (237)
SE	4007 (253)	16027 (1011)	2003 (126)	5231 (330)	1336 (84)	3484 (220)	SE	4310 (272)	15533 (980)	2155 (136)	6184 (390)	1437 (91)	4087 (258)
SG	4270 (269)	17081 (1078)	2135 (135)	5550 (350)	-	-	SG	4495 (284)	16199 (1022)	2248 (142)	6433 (406)	-	-
SH	4442 (280)	17766 (1121)	2221 (140)	5755 (363)	-	-	SK	4667 (294)	16819 (1061)	2334 (147)	6662 (420)	-	-
SK	4991 (315)	19963 (1259)	2495 (157)	6400 (404)	-	-	S1	3458 (218)	12461 (786)	1729 (109)	6231 (393)	1153 (73)	4154 (262)
S1	2815 (178)	11261 (710)	1408 (89)	4623 (292)	938 (59)	3067 (193)	S2	3613 (228)	13020 (821)	1807 (114)	6510 (411)	1204 (76)	4340 (274)
S2	2972 (188)	11890 (750)	1486 (94)	4866 (307)	991 (63)	3233 (204)	S3	3762 (237)	13556 (855)	1881 (119)	6778 (428)	1254 (79)	4519 (285)
S3	3293 (208)	13171 (831)	1646 (104)	5356 (338)	1098 (69)	3569 (225)	S4	3917 (247)	14114 (890)	1958 (124)	7057 (445)	1306 (82)	4705 (297)
S4	3413 (215)	13654 (861)	1707 (108)	5538 (349)	1138 (72)	3694 (233)	S5	4041 (255)	14561 (919)	2020 (127)	7281 (459)	1347 (85)	4854 (306)
S5	3661 (231)	14645 (924)	1831 (115)	5907 (373)	1220 (77)	3951 (249)	S7	4351 (274)	15678 (989)	2175 (137)	7839 (495)	-	-
S7	3999 (252)	15998 (1009)	2000 (126)	6402 (404)	-	-	S9	4915 (310)	17711 (1117)	2457 (155)	8855 (559)	-	-
S9	4157 (262)	16626 (1049)	2078 (131)	6627 (418)	-	-	-	-	-	-	-	-	-
TC	3765 (238)	15061 (950)	1883 (119)	4657 (294)	1255 (79)	3091 (195)	TC	3950 (249)	14234 (898)	1975 (125)	5350 (338)	1317 (83)	3532 (223)
TE	4007 (253)	16027 (1011)	2003 (126)	4938 (312)	1336 (84)	3283 (207)	TE	4310 (272)	15533 (980)	2155 (136)	5813 (367)	1437 (91)	3840 (242)
TG	4270 (269)	17081 (1078)	2135 (135)	5242 (331)	-	-	TG	4495 (284)	16199 (1022)	2248 (142)	6048 (382)	-	-
TH	4442 (280)	17766 (1121)	2221 (140)	5437 (343)	-	-	TK	4667 (294)	16819 (1061)	2334 (147)	6266 (395)	-	-

## Application Data (Cont'd)

**TABLE 6 - WATER FLOW RATE LIMITS GPM (L/S) – BASED UPON STANDARD TUBES (MTI NUMBERS FOR 1. CONDENSER: 3/4-IN.=471 AND 1-IN.=266; 2. EVAPORATOR: 3/4-IN.=481 AND 1-IN.=656) @ DESIGN FULL LOAD CONDITIONS (CONT'D)**

EVAPORATOR							CONDENSER						
MODEL	1 PASS		2 PASS		3 PASS		MODEL	1 PASS		2 PASS		3 PASS	
	MIN	MAX	MIN	MAX	MIN	MAX		MIN	MAX	MIN	MAX	MIN	MAX
TK	4991 (315)	19963 (1259)	2495 (157)	6053 (382)	–	–	T1	3458 (218)	12461 (786)	1729 (109)	6194 (391)	1153 (73)	4084 (258)
T1	2815 (178)	11261 (710)	1408 (89)	4363 (275)	938 (59)	2891 (182)	T2	3613 (228)	13020 (821)	1807 (114)	6463 (408)	1204 (76)	4263 (269)
T2	2972 (188)	11890 (750)	1486 (94)	4595 (290)	991 (63)	3048 (192)	T3	3762 (237)	13556 (855)	1881 (119)	6719 (424)	1254 (79)	4435 (280)
T3	3293 (208)	13171 (831)	1646 (104)	5061 (319)	1098 (69)	3366 (212)	T4	3917 (247)	14114 (890)	1958 (124)	6983 (441)	1306 (82)	4612 (291)
T4	3413 (215)	13654 (861)	1707 (108)	5234 (330)	1138 (72)	3485 (220)	T5	4041 (255)	14561 (919)	2020 (127)	7193 (454)	1347 (85)	4752 (400)
T5	3661 (231)	14645 (924)	1831 (115)	5586 (352)	1220 (77)	3728 (235)	T7	4351 (274)	15678 (989)	2175 (137)	7710 (486)	–	–
T7	3999 (252)	15998 (1009)	2000 (126)	6059 (382)	–	–	T9	4915 (310)	17711 (1117)	2457 (155)	8625 (544)	–	–
T9	4157 (262)	16626 (1049)	2078 (131)	6274 (396)	–	–	–	–	–	–	–	–	–
UC	3857 (243)	15430 (973)	1929 (122)	5110 (322)	1286 (81)	3359 (212)	UC	4836 (305)	17428 (1100)	2418 (153)	6886 (434)	1612 (102)	4555 (287)
UE	4759 (300)	19036 (1201)	2380 (150)	6242 (394)	1586 (100)	4109 (259)	UE	5252 (331)	18925 (1194)	2626 (166)	7428 (469)	1751 (110)	4919 (310)
UG	5070 (320)	20281 (1280)	2535 (160)	6624 (418)	1690 (107)	4363 (275)	UG	5573 (352)	20083 (1267)	2786 (176)	7841 (495)	1858 (117)	5196 (328)
UK	5619 (355)	22478 (1418)	2810 (177)	7288 (460)	–	–	UK	6105 (385)	22001 (1388)	3053 (193)	8509 (537)	–	–
U1	3999 (252)	15998 (1009)	2000 (126)	6528 (412)	1333 (84)	4297 (271)	U1	5113 (323)	18425 (1162)	2557 (161)	9213 (581)	1704 (108)	6142 (387)
U2	4138 (261)	16554 (1044)	2069 (131)	6740 (425)	1379 (87)	4438 (280)	U3	5584 (352)	20123 (1270)	2792 (176)	10062 (635)	1861 (117)	6708 (423)
U3	4416 (279)	17665 (1115)	2208 (139)	7160 (452)	–	–	U9	6402 (404)	23071 (1456)	3201 (202)	11440 (722)	–	–
U3	4416 (279)	17665 (1115)	2208 (139)	7160 (452)	–	–	U9	6402 (404)	23071 (1456)	3201 (202)	11440 (722)	–	–
U5	4622 (292)	18487 (1166)	2311 (146)	7466 (471)	–	–	–	–	–	–	–	–	–
U7	5123 (323)	20493 (1293)	2562 (162)	8199 (517)	–	–	–	–	–	–	–	–	–
U8	5238 (330)	20952 (1322)	2619 (165)	8364 (528)	–	–	–	–	–	–	–	–	–
U9	5673 (358)	22692 (1432)	2836 (179)	8979 (567)	–	–	–	–	–	–	–	–	–
VC	3857 (243)	15430 (973)	1929 (122)	4816 (304)	1286 (81)	3165 (200)	VC	4836 (305)	17428 (1100)	2418 (153)	6478 (409)	1612 (102)	4283 (270)
VE	4759 (300)	19036 (1201)	2380 (150)	5889 (372)	–	–	VE	5252 (331)	18925 (1194)	2626 (166)	6993 (441)	1751 (110)	4628 (292)
VG	5070 (320)	20281 (1280)	2535 (160)	6253 (394)	1690 (107)	4116 (260)	VG	5573 (352)	20083 (1267)	2786 (176)	7386 (466)	1858 (117)	4891 (309)
VK	5619 (355)	22478 (1418)	2810 (177)	6885 (434)	–	–	VK	6105 (385)	22001 (1388)	3053 (193)	8023 (506)	–	–

## Application Data (Cont'd)

**TABLE 6 - WATER FLOW RATE LIMITS GPM (L/S) – BASED UPON STANDARD TUBES (MTI NUMBERS FOR 1. CONDENSER: 3/4-IN.=471 AND 1-IN.=266; 2. EVAPORATOR: 3/4-IN.=481 AND 1-IN.=656) @ DESIGN FULL LOAD CONDITIONS (CONT'D)**

EVAPORATOR							CONDENSER						
MODEL	1 PASS		2 PASS		3 PASS		MODEL	1 PASS		2 PASS		3 PASS	
	MIN	MAX	MIN	MAX	MIN	MAX		MIN	MAX	MIN	MAX	MIN	MAX
V1	3999 (252)	15998 (1009)	2000 (126)	6166 (389)	1333 (84)	4057 (256)	V1	5113 (323)	18425 (1162)	2557 (161)	8938 (564)	1704 (108)	5928 (374)
V2	4138 (261)	16554 (1044)	2069 (131)	6367 (402)	1379 (87)	4191 (264)	V3	5584 (352)	20123 (1270)	2792 (176)	9664 (610)	1861 (117)	6420 (405)
V3	4416 (279)	17665 (1115)	2208 (139)	6767 (427)	-	-	V9	6402 (404)	23071 (1456)	3201 (202)	10861 (685)	-	-
V5	4622 (292)	18487 (1166)	2311 (146)	7059 (445)	-	-	-	-	-	-	-	-	-
V7	5123 (323)	20493 (1293)	2562 (162)	7760 (490)	-	-	-	-	-	-	-	-	-
V8	5238 (330)	20952 (1322)	2619 (165)	7918 (500)	-	-	-	-	-	-	-	-	-
V9	5673 (358)	22692 (1432)	2836 (179)	8508 (537)	-	-	-	-	-	-	-	-	-
WC	3857 (243)	15430 (973)	1929 (122)	4816 (304)	1286 (81)	3165 (200)	WC	6183 (390)	22282 (1406)	3092 (195)	8267 (522)	2061 (130)	5487 (346)
WE	4537 (286)	18147 (1145)	2268 (143)	5627 (355)	1512 (95)	3701 (234)	WG	6842 (432)	24656 (1556)	3421 (216)	9078 (573)	-	-
WG	5070 (320)	20281 (1280)	2535 (160)	6253 (394)	1690 (107)	4116 (260)	W1	4526 (286)	16312 (1029)	2263 (143)	8048 (508)	1509 (95)	5323 (336)
WK	5512 (348)	22046 (1391)	2756 (174)	6761 (427)	-	-	W3	4892 (309)	17630 (1112)	2446 (154)	8675 (547)	1631 (103)	5748 (363)
W1	3999 (252)	15998 (1009)	2000 (126)	6166 (389)	1333 (84)	4057 (256)	W4	5177 (327)	18657 (1177)	2589 (163)	9157 (578)	1726 (109)	6074 (383)
W2	4138 (261)	16554 (1044)	2069 (131)	6367 (402)	1379 (87)	4191 (264)	W5	5512 (348)	19863 (1253)	2756 (174)	9713 (613)	1837 (116)	6453 (407)
W3	4416 (279)	17665 (1115)	2208 (139)	6767 (427)	1472 (93)	4456 (281)	W6	5803 (366)	20913 (1319)	2902 (183)	10189 (643)	1934 (122)	6779 (428)
W5	4767 (301)	19067 (1203)	2383 (150)	7264 (458)	1589 (100)	4787 (302)	W7	6460 (408)	23281 (1469)	3230 (204)	11235 (709)	2153 (136)	7498 (473)
W6	4990 (315)	19961 (1259)	2495 (157)	7576 (478)	1663 (105)	4996 (315)	W9	7142 (451)	25738 (1624)	3571 (225)	12278 (775)	-	-
W7	5123 (323)	20493 (1293)	2562 (162)	7760 (490)	1708 (108)	5119 (323)	-	-	-	-	-	-	-
W9	5498 (347)	21991 (1387)	2749 (173)	8272 (522)	-	-	-	-	-	-	-	-	-
YC	3857 (243)	15430 (973)	1929 (122)	4349 (274)	1286 (81)	2857 (180)	ZC	6183 (390)	22282 (1406)	3092 (195)	7440 (469)	2061 (130)	4931 (311)
YE	4537 (286)	18147 (1145)	2268 (143)	5088 (321)	1512 (95)	3345 (211)	ZG	6842 (432)	24656 (1556)	3421 (216)	8181 (516)	-	-
YG	5070 (320)	20281 (1280)	2535 (160)	5660 (357)	1690 (107)	3723 (235)	Z1	4526 (286)	16312 (1029)	2263 (143)	7255 (458)	1509 (95)	4793 (302)
YK	5512 (348)	22046 (1391)	2756 (174)	6126 (386)	-	-	Z3	4892 (309)	17630 (1112)	2446 (154)	7828 (494)	1631 (103)	5179 (327)
Y1	3999 (252)	15998 (1009)	2000 (126)	5586 (352)	1333 (84)	3673 (232)	Z4	5177 (327)	18657 (1177)	2589 (163)	8270 (522)	1726 (109)	5478 (346)
Y2	4138 (261)	16554 (1044)	2069 (131)	5771 (364)	1379 (87)	3796 (239)	Z5	5512 (348)	19863 (1253)	2756 (174)	8782 (554)	1837 (116)	5824 (367)



## Application Data (Cont'd)

**TABLE 6 - WATER FLOW RATE LIMITS GPM (L/S) – BASED UPON STANDARD TUBES (MTI NUMBERS FOR 1. CONDENSER: 3/4-IN.=471 AND 1-IN.=266; 2. EVAPORATOR: 3/4-IN.=481 AND 1-IN.=656) @ DESIGN FULL LOAD CONDITIONS (CONT'D)**

EVAPORATOR							CONDENSER						
MODEL	1 PASS		2 PASS		3 PASS		MODEL	1 PASS		2 PASS		3 PASS	
	MIN	MAX	MIN	MAX	MIN	MAX		MIN	MAX	MIN	MAX	MIN	MAX
Y3	4416 (279)	17665 (1115)	2208 (139)	6137 (387)	1472 (93)	4039 (255)	Z6	5803 (366)	20913 (1319)	2902 (183)	9221 (582)	1934 (122)	6123 (386)
Y5	4767 (301)	19067 (1203)	2383 (150)	6594 (416)	1589 (100)	4342 (274)	Z7	6460 (408)	23281 (1469)	3230 (204)	10190 (643)	2153 (136)	6784 (428)
Y6	4990 (315)	19961 (1259)	2495 (157)	6882 (434)	1663 (105)	4534 (286)	Z9	7142 (451)	25738 (1624)	3571 (225)	11164 (704)	-	-
Y7	5123 (323)	20493 (1293)	2562 (162)	7052 (445)	1708 (108)	4647 (293)	-	-	-	-	-	-	-
Y9	5498 (347)	21991 (1387)	2749 (173)	7526 (475)	-	-	-	-	-	-	-	-	-
XC	4880 (308)	19519 (1231)	2440 (154)	6031 (380)	1627 (103)	3969 (250)	YC	7569 (478)	27276 (1721)	3785 (239)	9951 (628)	2523 (159)	6631 (418)
XE	5927 (374)	23710 (1496)	2964 (187)	7234 (456)	1976 (125)	4769 (301)	YG	8575 (541)	30902 (1950)	4288 (271)	11119 (702)	-	-
XG	6756 (426)	27024 (1705)	3378 (213)	8151 (514)	-	-	Y1	5512 (348)	19863 (1253)	2756 (174)	9713 (613)	1837 (116)	6453 (407)
X1	4990 (315)	19961 (1259)	2495 (157)	7576 (478)	1663 (105)	4996 (315)	Y2	5803 (366)	20913 (1319)	2902 (183)	10189 (643)	1934 (122)	6779 (428)
X3	5474 (345)	21894 (1381)	2737 (173)	8239 (520)	1825 (115)	5440 (343)	Y3	6398 (404)	23057 (1455)	3199 (202)	11138 (703)	2133 (135)	7431 (469)
X5	5975 (377)	23900 (1508)	2988 (188)	8910 (562)	1992 (126)	5890 (372)	Y4	7000 (442)	25224 (1591)	3500 (221)	12064 (761)	2333 (147)	8072 (509)
X6	6205 (391)	24819 (1566)	3102 (196)	9210 (581)	2068 (130)	6092 (384)	Y5	7539 (476)	27167 (1714)	3769 (238)	12864 (812)	2513 (159)	8631 (545)
X7	6597 (416)	26389 (1665)	3299 (208)	9714 (613)	-	-	Y7	8103 (511)	29200 (1842)	4052 (256)	13672 (863)	2701 (170)	9199 (580)
X9	6887 (435)	27549 (1738)	3444 (217)	10079 (636)	-	-	Y9	8679 (548)	31277 (1973)	4340 (274)	14465 (913)	-	-
ZC	7207 (455)	28828 (1819)	3603 (227)	8637 (545)	2402 (152)	5709 (360)	-	-	-	-	-	-	-
ZE	7874 (497)	31495 (1987)	3937 (248)	9338 (589)	2625 (166)	6181 (390)	-	-	-	-	-	-	-
ZG	8512 (537)	34047 (2148)	4256 (269)	9987 (630)	-	-	-	-	-	-	-	-	-
Z1	7310 (461)	29241 (1845)	3655 (231)	10598 (669)	2437 (154)	7032 (444)	-	-	-	-	-	-	-
Z2	7552 (476)	30208 (1906)	3776 (238)	10889 (687)	2517 (159)	7230 (456)	-	-	-	-	-	-	-
Z3	7794 (492)	31174 (1967)	3897 (246)	11174 (705)	2598 (164)	7425 (468)	-	-	-	-	-	-	-
Z5	8035 (507)	32141 (2028)	4018 (253)	11455 (723)	2678 (169)	7617 (481)	-	-	-	-	-	-	-
Z7	8277 (522)	33108 (2089)	4138 (261)	11731 (740)	2759 (174)	7806 (492)	-	-	-	-	-	-	-
Z9	8730 (551)	34920 (2203)	4365 (275)	12236 (772)	-	-	-	-	-	-	-	-	-

THIS PAGE INTENTIONALLY LEFT BLANK.

## Application Data (Cont'd)

**Chilled Water** – A water strainer of maximum 1/8 in. (3.2 mm) perforated holes must be field-installed in the chilled water inlet line as close as possible to the chiller. If located close enough to the chiller, the chilled water pump may be protected by the same strainer. The strainer is important to protect the chiller from debris or objects which could block flow through individual heat exchanger tubes. A reduction in flow through tubes could seriously impair the chiller performance or even result in tube freeze-up. A thermal-type flow switch is factory installed in the evaporator nozzle and connected to the OptiView™ panel, which assures adequate chilled water flow during operation.

**Condenser Water** – The chiller is engineered for maximum efficiency at both design and part load operation by taking advantage of the colder cooling tower water temperatures which naturally occur during the winter months. Appreciable power savings are realized from these reduced heads.

The minimum entering condenser water temperature for other full and part load conditions is provided by the following equation:

$$\text{Min. ECWT} = \text{LCHWT} - \text{C RANGE} + 5^{\circ}\text{F} + 12 \left( \frac{\% \text{load}}{100} \right)$$

or

$$\text{Min. ECWT} = \text{LCHWT} - \text{C RANGE} + 2.8^{\circ}\text{C} + 6.6 \left( \frac{\% \text{load}}{100} \right)$$

where:

ECWT = entering condensing water temperature

LCHWT = leaving chilled water temperature

C RANGE = condensing water temperature range

at the given load condition.

At initial startup, entering condensing water temperature may be as much as 25°F (13.9°C) colder than the standby chilled water temperature.

### BRINE APPLICATIONS

Various types of brine can be used in both the evaporator and condenser in lieu of water. The OptiView™ Control panel is programmed in the factory to allow extending the evaporator leaving brine temperature setpoint below 36°F (2.2°C). The low evaporator pressure cutout is factory programmed to the appropriate value depending on the percent (%) concentration and type of brine solution.

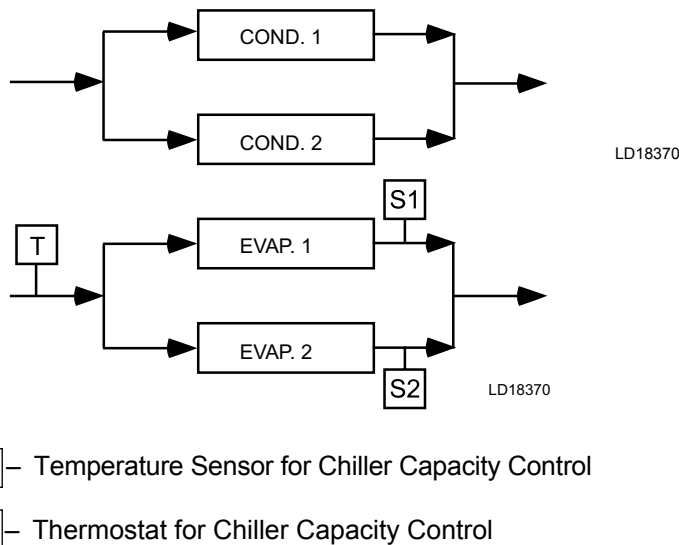
When the chiller is not running, brine should not be run through the evaporator. However, if there is brine running through the evaporator, there must be flow through the condenser to prevent tubes from freezing. In brine applications the condenser pump control will close when the condenser saturation temperature reaches 35°F (1.7°C) and the pump will shut off when the temperature increases to 40°F (4.4°C). This is applicable if tied to the condenser pump control.

## Application Data (Cont'd)

### MULTIPLE UNITS

**Selection** – Many applications require multiple units to meet the total capacity requirements as well as to provide flexibility and some degree of protection against equipment shutdown. There are several common unit arrangements for this type of application. The YK chiller has been designed to be readily adapted to the requirements of these various arrangements.

**Parallel Arrangement** – Chillers may be applied in multiples with chilled and condenser water circuits connected in parallel between the units. *Figure 2* represents a parallel arrangement with two chillers. Parallel chiller arrangements may consist of equally or unequally sized units. When multiple units are in operation, they will load and unload at equal percentages of design full load for the chiller.

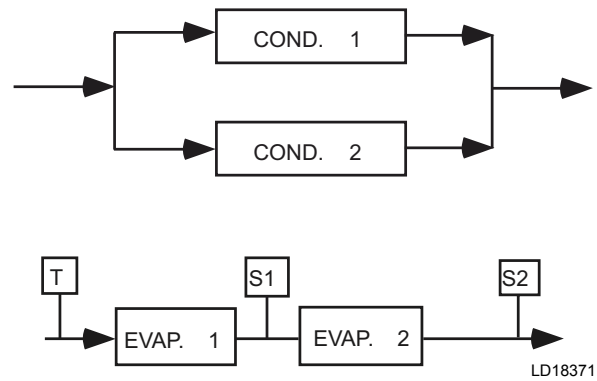


**FIGURE 2 - PARALLEL EVAPORATORS PARALLEL CONDENSERS**

Depending on the number of units and operating characteristics of the units, loading and unloading schemes should be designed to optimize the overall efficiency of the chiller plant. It is recommended to use an evaporator bypass piping arrangement to bypass fluid around evaporator of any unit which has cycled off at reduced load conditions. It is also recommended to alternate the chiller cycling order to equalize chiller starts and run hours.

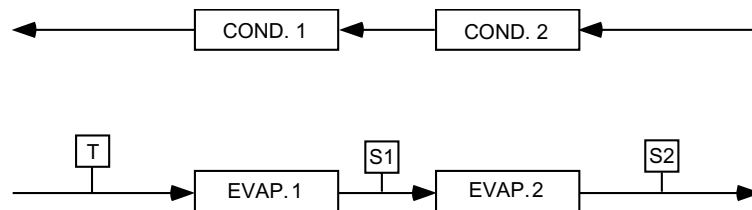
**Series Arrangement** – Chillers may be applied in pairs with chilled water circuits connected in series and condenser water circuits connected in parallel. All of the chilled water flows through both evaporators with each unit handling approximately one half of the total load. When the load decreases to a customer selected load value, one of the units will be shut down by a sequence control. Since all water is flowing through the operating unit, that unit will cool the water to the desired temperature.

## Application Data (Cont'd)



**FIGURE 3 - SERIES EVAPORATORS PARALLEL CONDENSERS**

**Series Counter Flow Arrangement** - Chillers may be applied in pairs with chilled water circuits connected in series and with the condenser water in series counter flow. All of the chilled water flows through both evaporators. All of the condenser water flows through both condensers. The water ranges are split, which allows a lower temperature difference or "head" on each chiller, than multiple units in parallel. For equal chillers, the machine at higher temperature level will typically provide slightly more than half the capacity. The compressor motors and gear codes on the two chillers are often matched, such that the high temperature machine can operate at the low temperature conditions when one unit is cycled off at part loads (as compared to series-parallel chillers which are typically not identical).



**S** – Temperature Sensor for Chiller Capacity Control

**T** – Thermostat for Chiller Capacity Control

LD18372

**FIGURE 4 - SERIES EVAPORATORS SERIES-COUNTER FLOW CONDENSERS**

Series counter flow application can provide a significant building energy savings for large capacity plants which have chilled and condenser water temperature ranges greater than typical AHRI.

## ***Application Data (Cont'd)***

### **REFRIGERANT RELIEF PIPING**

Each chiller is equipped with dual pressure relief valves on the condenser and two dual relief valves on the evaporator, or two single relief valves on the evaporator if the optional refrigerant isolation valves are ordered. The dual relief valves on the condenser are redundant and allow changing of either valve while the unit is fully charged. The purpose of the relief valves is to quickly relieve excess pressure of the refrigerant charge to the atmosphere, as a safety precaution in the event of an emergency such as fire. They are set to relieve at an internal pressure as noted on the pressure vessel data plate, and are provided in accordance with ASHRAE 15 safety code and ASME or applicable pressure vessel code.

Sized to the requirements of applicable codes, a vent line must run from the relief device to the outside of the building. This refrigerant relief piping must include a cleanable, vertical leg dirt trap to catch vent stack condensation. Vent piping must be arranged to avoid imposing a strain on the relief connection and should include one flexible connection.

### **SOUND AND VIBRATION CONSIDERATIONS**

A YK chiller is not a source of objectionable sound and vibration in normal air conditioning applications. Neoprene isolation mounts are furnished as standard with each unit. Optional level adjusting spring isolator assemblies designed for 1 in. (25 mm) static deflection are available from Johnson Controls.

Control of sound and vibration transmission must be taken into account in the equipment room construction as well as in the selection and installation of the equipment.

YK chiller sound pressure level ratings will be furnished on request.

### **THERMAL INSULATION**

No appreciable operating economy can be achieved by thermally insulating the chiller. However, the chiller's cold surfaces should be insulated with vapor barrier insulation sufficient to prevent condensation. A chiller can be factory-insulated with 3/4 in (19 mm) or 1 1/2 in. (38 mm) thick insulation, as an option. This insulation will normally prevent condensation in environments with dry bulb temperatures of 50°F to 90°F (10°C to 32°C) and relative humidities up to 75% [3/4 in. (19 mm) thickness] or 90% [1 1/2 in. (38 mm) thickness]. The insulation is painted and the surface is flexible and reasonably resistant to wear. It is intended for a chiller installed indoors and, therefore, no protective covering of the insulation is usually required. If insulation is applied to the waterboxes at the job site, it must be removable to permit access to the tubes for routine maintenance.

## Application Data (Cont'd)

### VENTILATION

The ASHRAE Standard 15 Safety Code for Mechanical Refrigeration requires that all machinery rooms be vented to the outdoors utilizing mechanical ventilation by one or more power driven fans. This standard, plus National Fire Protection Association Standard 90A, state, local and any other related codes should be reviewed for specific requirements. Since the YK chiller motor is air-cooled, ventilation should allow for the removal of heat from the motor.

**TABLE 7 - MOTOR VOLTAGE VARIATIONS**

FREQ.	RATED VOLTAGE	NAMEPLATE VOLTAGE*	OPERATING VOLTAGE	
			MIN.	MAXIMUM
60 HZ	200	200/208	180	220
	230	220/240	208	254
	380	380	342	415
	416	416	375	457
	460	440/460/480	414	508
	575	575/600	520	635
	2300	2300	2070	2530
	3300	3300	2970	3630
50 HZ	4000	4000/4160	3600	4576
	346	346	311	381
	380	380/400	342	423
	415	415	374	440
	3300	3300	2970	3630

In addition, the ASHRAE Standard 15 requires a refrigerant vapor detector to be employed for all refrigerants. It is to be located in an area where refrigerant from a leak would be likely to concentrate. An alarm is to be activated and the mechanical ventilation started at a value no greater than the TLV (Threshold Limit Value) of the refrigerant.

### ELECTRICAL CONSIDERATIONS

**Motor Voltage** – Low voltage motors (200 V to 600 V) are furnished with six leads. Medium voltage (2300 V to 13800 V) motors may have three leads or six leads. Motor circuit conductor size must be in accordance with the National Electrical Code (NEC), or other applicable codes, for the motor full load amperes (FLA). Flexible conduit should be used for the last several feet to the chiller in order to provide vibration isolation. *Table 7* on page 55 lists the allowable variation in voltage supplied to the chiller motor. The unit name plate is stamped with the specific motor voltage, and frequency for the appropriate motor.

**Starters** – A separate starter is not required if the chiller is equipped with a Variable Speed Drive (VSD). The YK Chillers are also available with a factory mounted and wired YORK® Solid-State Starter for low and medium voltage applications. Other types of remote mounted starters are available. Electromechanical starters must be furnished in accordance with YORK® Standard Specifications (R-1132). This will ensure that starter components, controls, circuits, and terminal markings will be suitable for required overall system performance. Remote-mounted medium voltage YORK® Solid-State Starters are also available.

## Application Data (Cont'd)

**Controls** – A 115 V, single-phase, 60 or 50 Hz 2 KVA power supply must be furnished to the chiller from a separate, fused disconnect or from a control transformer included as an option with electromechanical starters. No field control wiring is required when the low voltage YORK® Variable Speed Drive or Solid-State Starter is supplied.

**Oil Pump Power Supply** – A separate 3 phase power supply with a fused disconnect for the factory-mounted oil pump variable speed drive is required unless the low voltage VSD or SSS is supplied. Power can also be supplied through an electromechanical starter, remote mounted Medium Voltage Solid-State Starter (MVSSS) or Medium Voltage Variable Speed Drive (MVVSD).

**Copper Conductors** – Only copper conductors should be connected to compressor motors and starters. Aluminum conductors have proven to be unsatisfactory when connected to copper lugs. Aluminum oxide and the difference in thermal conductivity between copper and aluminum cannot guarantee the required tight connection over a long period of time.

**Displacement Power-factor Correction Capacitors** – When the chiller is equipped with a VSD, automatic displacement power factor correction to a minimum of 0.95 is provided at all operating conditions, so additional capacitors are not required. For other starting methods, capacitors can be applied to a chiller for the purpose of displacement power factor correction. For remote-mounted electromechanical starters, the capacitors should be located on the load side of the starter. For YORK® Solid-State Starters the capacitors must be located on the line side of the starter. The capacitors must be sized and installed to meet the National Electrical Code and be verified by Johnson Controls.

**Ampacity on Load Side of Starter** – Electrical power wire size to the chiller is based on the minimum unit ampacity. For Solid-State Starters or Variable Speed Drive, this wiring is done at the factory. For remote starters, the National Electrical Code defines the calculation of ampacity, as summarized below. More specific information on actual amperage ratings will be supplied with the submittal drawings:

- Six lead type of starting (Star Delta) Minimum circuit ampacity per conductor (1 of 6):

$$\text{Ampacity} = .721 \times \text{compressor motor amps.}$$

- Three lead type of starting (Across the Line, Autotransformer and Primary Reactor) Minimum circuit ampacity per conductor (1 of 3):

$$\text{Ampacity} = 1.25 \times \text{compressor motor amps.}$$

**Ampacity on Line Side of Starter** – The only additional load on the circuit for the chiller would be the control transformer and oil pump motor unless they are supplied by a separate source.

Minimum Circuit Ampacity = 125% of compressor motor amps + FLA of all other loads on the circuit.

**Branch Circuit Overcurrent Protection** – The branch circuit overcurrent protection device(s) should be a time delay type, with a minimum rating equal to the next standard fuse/breaker rating above the calculated value. It is calculated taking into account the compressor motor amps and may also include control transformer and oil pump motor. Refer to submittal drawings for the specific calculations for each application. For information on motor starters, see *Table 12 on page 62*.

For motor voltage above 4160 V / 60 Hz and 3300 V / 50 HZ contact the JCI Sales Office for a specific selection.



## Application Data (Cont'd)

### MOTOR ELECTRICAL DATA

The smallest motor available which equals or exceeds the Input power (kW) from the chiller rating program is selected from *Table 8* and *Table 9*. The full load amperes (FLA) listed in the tables is maximum values and corresponds to the maximum motor kW listed. When the input power (kW) is less than maximum motor kW, the FLA should be reduced per the following equation:

$$FLA = \frac{\text{Motor kW} \times \text{MAXIMUM Motor FLA}}{\text{MAXIMUM Motor kW}}$$

This equation assumes the motor is running at full speed. When running with a VSD the FLA will increase as speed and VSD output voltage are reduced.

The benefit from the FLA correction is the possible use of smaller power wiring and/or starter size. The locked rotor amperes (LRA) are read directly from *Table 8 on page 58* for specific Motor Code and voltage.

This is because the LRA is dependent only on motor size and voltage and is independent of input power (kW). Inrush amperes (IRA) depend on LRA and the type of starter applied. The inrush can be calculated using a percentage of LRA shown in *Table 13 to Table 17*.

## Application Data (Cont'd)

**TABLE 8 - 60 HZ ELECTRICAL DATA**

MOTOR CODE	CF	CG	CH	CJ	CK	CL	CM	CN	CP	CR	CS	CT	CU	CV	CW	
SHAFT HP (MAX)	154	177	201	237	270	302	327	351	385	424	468	503	554	608	655	
INPUT KW (MAX)	123	140	161	190	214	240	257	276	302	333	367	395	435	477	514	
F.L. EFF. - % <sup>1</sup>	93.6	94.5	93.3	93	94	94	95	95	95	95	95	95	95	95	95	
F.L. POWER FACTOR <sup>1</sup>	0.86	0.86	0.86	0.86	0.86	0.86	0.86	0.86	0.86	0.87	0.87	0.87	0.87	0.87	0.87	
VOLTS	AMPERES (MAXIMUM)															
2300	FLA	36	41.1	46	55	63	70	73.9	80	87	95	106	113	124	135	146
	LRA	240	267	298	340	409	435	480	520	543	617	669	719	791	867	935
3300	FLA	25.5	29	33	39	44	49	52	55.3	61	67	72.8	79	86.1	94.4	102
	LRA	160	175	210	240	286	310	310	343	382	436	466	501	551	576	652
4000	FLA	21	24	26.7	32	36	40	42.5	46	50.1	55	60.1	65.2	71	77.9	84
	LRA	135	154	166	195	234	240	270	283	315	356	384	413	455	499	538
4160	FLA	20.2	23	25.7	30.8	34.6	38.5	40.9	44.2	48.2	52.9	57.8	62.7	68.3	74.9	80.8
	LRA	140	160	173	203	244	250	270	294	328	370	399	430	473	519	560

**TABLE 9 - 50 HZ ELECTRICAL DATA**

MOTOR CODE	5CC	5CD	5CE	5CF	5CG	5CH	5CI	5CJ	5CK	5CL	5CM	5CN	5CO	5CP	5CQ	5CR	5CS	
SHAFT HP (MAX)	148	168	198	225	252	272	292	321	353	390	419	462	507	546	575	617	658	
INPUT KW (MAX)	119	135	158	179	201	215	231	254	279	309	332	363	398	429	451	484	516	
F.L. EFF. - % <sup>1</sup>	93	93	93.4	93.7	93.7	94.2	94.2	94.2	94.2	94.2	94.2	95	95	95	95	95	95	
F.L. POWER FACTOR <sup>1</sup>	0.86	0.86	0.86	0.86	0.86	0.86	0.86	0.86	0.87	0.87	0.87	0.87	0.87	0.87	0.87	0.87	0.88	
VOLTS	AMPERES (MAXIMUM)																	
3300	FLA	24.1	27.4	32.2	36.4	40.8	43.8	47	51.7	56.2	62.1	66.7	72.9	80	86.2	90.8	97.4	103
	LRA	159	162	209	236	241	274	305	318	361	388	423	455	499	516	572	614	644

**NOTES:**

- High voltage and special motor designs may not meet efficiency, power factor or amperes values shown for standard motors.
- Min. reduced voltage tap 80%.

## Application Data (Cont'd)

**TABLE 8 - 60 HZ ELECTRICAL DATA (CONT'D)**

MOTOR CODE	CX	CY	CZ	CA	CB	DA	DB	DC	DD	DE	DF	DH	DJ	DK	DL	
SHAFT HP (MAX)	690	740	790	845	900	1000	1100	1200	1300	1400	1500	1750	2000	2250	2500	
INPUT KW (MAX)	542	578	618	660	703	781	859	937	1015	1093	1171	1359	1554	1748	1942	
F.L. EFF. - % <sup>1</sup>	95	95.5	95.3	95.5	95.5	95.5	95.5	95.5	95.5	95.5	95.5	96	96	96	96	
F.L. POWER FACTOR <sup>1</sup>	0.87	0.88	0.88	0.89	0.89	0.87	0.87	0.87	0.88	0.88	0.88	0.87	0.89	0.89	0.89	
<b>VOLTS</b>	<b>AMPERES (MAXIMUM)</b>															
2300	FLA	154	165	176	186	198	225	248	267	290	312	334	383	438	493	548
	LRA	960	1008	1100	1230	1230	1350	1592	1592	1882	2031	2171	2390	2879	3199	3356
3300	FLA	108	115	123	130	138	157	173	186	202	217	233	267	306	344	382
	LRA	702	719	744	858	858	942	1110	1110	1311	1416	1514	1661	2011	2388	2479
4000	FLA	88.6	94.8	101	107	114	130	143	154	166	179	192	220	252	283	315
	LRA	552	554	631	713	713	780	923	923	1077	1177	1246	1428	1669	1842	2047
4160	FLA	85.2	91.1	97.1	102	110	125	137	148	160	172	185	212	242	273	303
	LRA	574	576	656	742	742	811	960	960	1120	1224	1296	1485	1736	1772	1968

**TABLE 9 - 50 HZ ELECTRICAL DATA (CONT'D)**

MOTOR CODE	5CT	5CU	5CV	5CW	5CX	5DA	5DB	5DC	5DD	5DE	5DF	5DG	5DH	5DJ <sup>2</sup>	5DK	5DL	
SHAFT HP (MAX)	704	750	800	850	900	1000	1100	1200	1300	1400	1500	1650	1750	2000	2250	2500	
INPUT KW (MAX)	553	589	628	667	706	785	863	942	1015	1093	1171	1288	1359	1554	1748	1942	
F.L. EFF. - % <sup>1</sup>	95	95	95	95	95	95	95	95	95.5	95.5	95.5	95.5	96	96	96	96	
F.L. POWER FACTOR <sup>1</sup>	0.88	0.89	0.89	0.89	0.89	0.88	0.87	0.88	0.88	0.88	0.88	0.88	0.89	0.89	0.89	0.89	
<b>VOLTS</b>	<b>AMPERES (MAXIMUM)</b>																
3300	FLA	110	116	123	131	139	156	174	187	202	217	233	256	267	306	344	382
	LRA	725	725	744	819	875	871	1135	1135	1135	1415	1415	1415	1667	1836	2233	2481

**NOTES:**

- High voltage and special motor designs may not meet efficiency, power factor or amperes values shown for standard motors.
- Min. reduced voltage tap 80%.

# Application Data (Cont'd)

**TABLE 10 - 60 HZ ELECTRICAL DATA - PREMIUM EFFICIENCY**

MOTOR CODE	EF	EG	EH	EJ	EK	EL	EM	EN	EP	ER	ES	ET	EU	EV	
SHAFT HP (MAX)	154	177	201	237	270	302	327	351	385	424	468	503	554	608	
INPUT KW (MAX)	122	139	158	185	211	236	256	274	300	330	363	390	431	473	
F.L. EFF. - %	94.5	95	95	95.4	95.4	95.4	95.4	95.4	95.8	95.8	96.2	96.2	95.8	95.8	
F.L. POWER FACTOR	0.88	0.88	0.88	0.88	0.88	0.88	0.88	0.88	0.88	0.88	0.88	0.88	0.88	0.88	
VOLTS	AMPERES (MAXIMUM)														
200	FLA	399	456	518	608	692	774	838	900	983	1083	1190	-	-	-
	LRA	2815	3128	3128	3979	4550	4900	5635	5865	6686	7350	7935	-	-	-
208	FLA	383	438	498	584	666	745	806	865	945	1041	1144	-	-	-
	LRA	2928	3235	3235	4138	4732	5096	5860	6100	6953	7644	8252	-	-	-
230	FLA	347	396	450	528	602	673	729	783	855	941	1035	1112	-	-
	LRA	2598	2720	2865	3460	3788	4260	4900	5162	5814	6200	6900	8513	-	-
240	FLA	332	380	431	506	577	645	699	750	819	902	992	1066	-	-
	LRA	2711	2838	2990	3610	3953	4445	5113	5386	6067	6470	7200	8883	-	-
380	FLA	210	240	272	320	364	408	441	474	517	570	626	673	745	817
	LRA	1482	1646	1730	2153	2500	2578	2966	3254	3637	3810	4179	4480	4671	5326
416	FLA	192	219	249	292	333	372	403	433	473	521	572	615	680	746
	LRA	1385	1504	1638	1967	2190	2356	2709	2976	3536	3637	3815	3826	4270	5418
440	FLA	181	207	235	276	315	352	381	409	447	492	541	581	643	706
	LRA	1177	1301	1320	1655	1865	2037	2485	2485	2976	2976	3300	3348	3644	4687
460	FLA	173	198	225	264	301	337	365	391	427	471	517	556	615	675
	LRA	1230	1360	1380	1730	1950	2130	2598	2598	3111	3111	3450	3500	3810	4900
480	FLA	166	190	216	253	288	323	349	375	410	451	496	533	589	647
	LRA	1283	1419	1440	1805	2035	2223	2711	2711	3246	3246	3600	3652	3976	5113
575	FLA	139	159	180	211	241	269	292	313	342	377	414	445	492	540
	LRA	979	1088	1100	1384	1556	1704	1960	2066	2326	2413	2760	2960	3089	3550
600	FLA	133	152	173	203	231	258	279	300	328	361	397	426	472	517
	LRA	1021	1135	1148	1444	1624	1778	2045	2156	2427	2518	2880	3089	3223	3704

**NOTES:**

- High voltage and special motor designs may not meet efficiency, power factor or amperes values shown for standard motors.
- Min. reduced voltage tap 80%.

**TABLE 11 - 50 HZ ELECTRICAL DATA - PREMIUM EFFICIENCY**

MOTOR CODE	5EC	5ED	5EE	5EF	5EG	5EH	5EI	5EJ	5EK	5EL	5EM	5EN	5EO	
SHAFT HP (MAX)	148	168	198	225	252	272	292	321	353	390	419	462	507	
INPUT KW (MAX)	117	133	156	177	198	214	229	252	277	305	328	361	396	
F.L. EFF. - %	94.3	94.5	94.7	94.9	95	95	95	95	95	95.4	95.4	95.4	95.4	
F.L. POWER FACTOR	0.88	0.88	0.88	0.88	0.88	0.88	0.88	0.88	0.88	0.88	0.88	0.88	0.88	
VOLTS	AMPERES (MAXIMUM)													
346	FLA	222	251	296	335	375	405	435	478	525	578	621	685	751
	LRA	1521	1721	1790	2208	2467	2706	2840	3081	3350	3706	3810	4177	5150
380	FLA	202	229	269	305	342	369	396	435	478	526	565	623	684
	LRA	1385	1385	1640	1890	2144	2464	2590	2806	3050	3375	3700	3810	4690
400	FLA	192	217	256	290	324	350	376	413	454	500	537	592	650
	LRA	1458	1458	1726	1989	2257	2594	2726	2954	3211	3553	3895	4011	4937
415	FLA	185	210	246	280	313	338	362	398	438	482	518	571	627
	LRA	1283	1385	1502	1700	2031	2175	2366	2569	2794	3088	3402	3478	4027

**NOTE:** These motors are designed to meet or exceed NEMA Premium (MG1-2006) and European IE2 efficiency requirements.

## Application Data (Cont'd)

**TABLE 10 - 60 HZ ELECTRICAL DATA - PREMIUM EFFICIENCY (CONT'D)**

MOTOR CODE	EW	EX	EY	EZ	EA	EB	FA	FB	FC	FD	
SHAFT HP (MAX)	655	690	740	790	845	900	1000	1100	1200	1300	
INPUT KW (MAX)	508	535	574	612	655	698	775	853	930	1008	
F.L. EFF. - %	96.2	96.2	96.2	96.2	96.2	96.2	96.2	96.2	96.2	96.2	
F.L. POWER FACTOR	0.87	0.87	0.88	0.87	0.88	0.88	0.87	0.87	0.87	0.87	
VOLTS	AMPERES (MAXIMUM)										
200	FLA	-	-	-	-	-	-	-	-	-	-
	LRA	-	-	-	-	-	-	-	-	-	-
208	FLA	-	-	-	-	-	-	-	-	-	-
	LRA	-	-	-	-	-	-	-	-	-	-
230	FLA	-	-	-	-	-	-	-	-	-	-
	LRA	-	-	-	-	-	-	-	-	-	-
240	FLA	-	-	-	-	-	-	-	-	-	-
	LRA	-	-	-	-	-	-	-	-	-	-
380	FLA	887	934	990	1069	1131	1204	1354	1489	1624	-
	LRA	5780	5859	6244	6644	7106	7513	7794	8491	9431	-
416	FLA	810	853	905	977	1033	1100	1237	1360	1484	-
	LRA	5640	5670	5704	6069	6489	6863	7120	7755	8618	-
440	FLA	766	807	855	924	977	1040	1169	1286	1403	1520
	LRA	4668	4744	5050	5098	5529	5782	6160	6709	7455	9003
460	FLA	732	772	818	883	934	995	1118	1230	1342	1454
	LRA	4880	4960	5280	5330	5780	6045	6440	7014	7794	9412
480	FLA	702	739	784	847	895	954	1072	1179	1286	1393
	LRA	5092	5175	5510	5562	6031	6308	6720	7319	8133	9821
575	FLA	586	617	654	707	747	796	895	984	1074	1163
	LRA	4039	4100	4200	4200	4694	4963	5148	5610	6232	7527
600	FLA	562	592	627	677	716	763	857	943	1029	1115
	LRA	4214	4278	4383	4383	5452	5179	5372	5854	6503	7854

**NOTES:**

- High voltage and special motor designs may not meet efficiency, power factor or amperes values shown for standard motors.
- Min. reduced voltage tap 80%.

**TABLE 11 - 50 HZ ELECTRICAL DATA - PREMIUM EFFICIENCY (CONT'D)**

MOTOR CODE	5EP	5EQ	5ER	5ES	5ET	5EU	5EV	5EW	5EX	5FA	5FB	
SHAFT HP (MAX)	546	575	617	658	704	750	800	850	900	1000	1100	
INPUT KW (MAX)	425	448	480	512	548	584	623	662	701	778	856	
F.L. EFF. - %	95.8	95.8	95.8	95.8	95.8	95.8	95.8	95.8	95.8	95.8	95.8	
F.L. POWER FACTOR	0.87	0.87	0.87	0.87	0.88	0.88	0.87	0.87	0.87	0.87	0.87	
VOLTS	AMPERES (MAXIMUM)											
346	FLA	815	858	921	982	1039	1107	1194	1269	1344	1493	1642
	LRA	5063	5373	5780	5780	6615	6931	7356	7794	8319	8559	8759
380	FLA	742	782	839	894	946	1008	1087	1155	1223	1359	1495
	LRA	4610	4892	5600	5491	5491	6313	6694	7113	7404	7794	7975
400	FLA	705	743	797	850	899	958	1033	1098	1162	1291	1421
	LRA	4853	5149	5895	5780	5780	6645	7046	7487	7794	8204	8395
415	FLA	680	716	768	819	866	923	996	1058	1120	1245	1369
	LRA	4221	4480	5130	5108	5512	5780	6131	6513	6938	7138	7302

**NOTE:** These motors are designed to meet or exceed NEMA Premium (MG1-2006) and European IE2 efficiency requirements.

## Application Data (Cont'd)

TABLE 12 - MOTOR STARTERS

TYPE STARTER	SOLID-STATE STARTER	STAR DELTA	AUTO TRANSFORMER			ACROSS-THE-LINE	PRIMARY REACTOR	
			VOLTAGE	LOW/MEDIUM	LOW		LOW	LOW/MEDIUM
60 HZ	200-4160	200-600	200-600	200-4160	200-4160	200-4160	2300-4160	2300-4160
50 HZ	380-3300	346-415	346-415	346-3300	346-3300	346-3300	2300-3300	2300-3300
TRANSITION	–	CLOSED	CLOSED	CLOSED	CLOSED	–	CLOSED	CLOSED
% TAP	–	–	57.7	65	80	–	65	80
INRUSH AS A % OF LRA	45	33	33	42.3	64	100	65	80

## NOTES:

1. For motor starters above 4160 V / 60 Hz and 3300/50 Hz, contact the Johnson Controls Sales Office for a specific selection.
2. Minimum tap for 5DJ motor is 80%.

TABLE 13 - LOW VOLTAGE VARIABLE SPEED MODELS

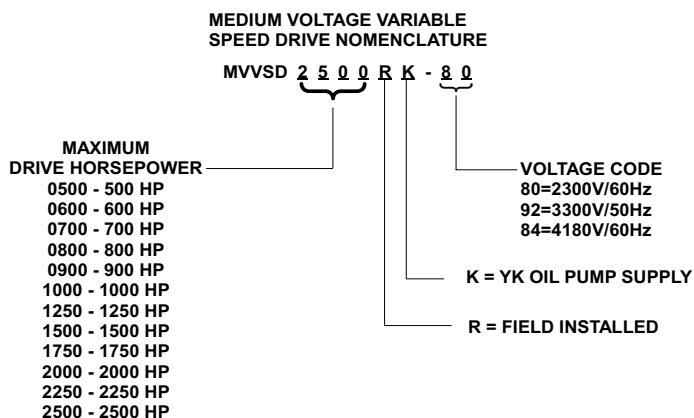
MAXIMUM LRA	MAXIMUM MOTOR HP	MINIMUM FLA	MAXIMUM FLA	RATED VOLTAGE	ACTUAL VOLTAGE	PHASE	HZ
2500	270	80	364	380	380	3	60
3637	385	120	517				
5326	608	200	817				
7513	882	300	1180				
7527	1100*	300	984				
2598	351	80	380	460	440/ 460/ 480		
3652	503	120	565				
5330	790	200	880				
7014	1055	300	1180				
7527	1300*	300	1163				
2413	424	80	377	575	575/600		
3550	608	120	540				
2727	292	80	380	380	380/400	3	50
3895	419	120	565				
5780	658	200	880				
8204	914	300	1180				
7527	1100*	300	984				
2366	292	80	362	415	415		
3402	419	120	518				
5512	704	200	876				
7138	948	300	1180				
7527	1100*	300	984				

NOTE: \*1100/1300HP LV VSD have 575 V / 60 Hz motor. LFA and LRA are for the motor (VSD output).

# Application Data (Cont'd)

TABLE 14 - MEDIUM VOLTAGE VARIABLE SPEED DRIVE MODELS

MV-VSD	MAXIMUM MOTOR HP	MAXIMUM FLA	VOLTAGE	PHASE	HZ
MVVSD0500RK-80	500	107	2300	3	60
MVVSD0600RK-80	600	129			
MVVSD0700RK-80	700	157			
MVVSD0800RK-80	800	172			
MVVSD0900RK-80	900	202			
MVVSD1000RK-80	1000	224			
MVVSD1250RK-80	1250	280			
MVVSD1500RK-80	1500	336			
MVVSD1750RK-80	1750	392			
MVVSD2000RK-80	2000	438			
MVVSD2250RK-80	2250	494			
MVVSD2500RK-80	2500	561			
MVVSD0500RK-94	500	78	3300	3	60
MVVSD0600RK-94	600	93			
MVVSD0700RK-94	700	110			
MVVSD0800RK-94	800	124			
MVVSD0900RK-94	900	141			
MVVSD1000RK-94	1000	156			
MVVSD1250RK-94	1250	195			
MVVSD1500RK-94	1500	235			
MVVSD1750RK-94	1750	274			
MVVSD2000RK-94	2000	312			
MVVSD2250RK-94	2250	345			
MVVSD2500RK-94	2500	391			
MVVSD0500RK-92S	500	62	4160	3	60
MVVSD0600RK-92S	600	74			
MVVSD0700RK-92S	700	87			
MVVSD0800RK-92S	800	99			
MVVSD0900RK-92S	900	112			
MVVSD1000RK-92S	1000	125			
MVVSD1250RK-92S	1250	155			
MVVSD1500RK-92S	1500	186			
MVVSD1750RK-92S	1750	217			
MVVSD2000RK-92S	2000	248			
MVVSD2250RK-92S	2250	274			
MVVSD2500RK-92S	2500	310			
MVVSD0500RK-92	500	78	3300	3	50
MVVSD0600RK-92	600	93			
MVVSD0700RK-92	700	110			
MVVSD0800RK-92	800	124			
MVVSD0900RK-92	900	141			
MVVSD1000RK-92	1000	156			
MVVSD1250RK-92	1250	195			
MVVSD1500RK-92	1500	235			
MVVSD1750RK-92	1750	274			
MVVSD2000RK-92	2000	312			
MVVSD2250RK-92	2250	345			
MVVSD2500RK-92	2500	391			



# Application Data (Cont'd)

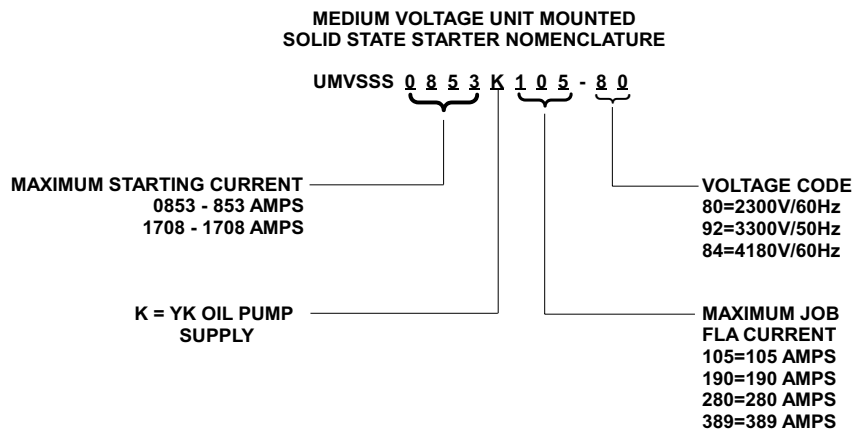
**TABLE 15 - LOW VOLTAGE SOLID-STATE STARTER MODELS**

MODEL SSS-	MAXIMUM LRA	MINIMUM FLA	MAXIMUM FLA	RATED VOLTAGE	ACTUAL VOLTAGE	PHASE	HZ
7L-46B	1556	35	260	460	440/460/480	3	60
7L-40B	1556	35	260	380	380	3	60
7L-50B	1556	35	260	400	380/440/415	3	50
7L-58B	1556	35	260	575	575/600	3	60
14L-17B	3111	65	510	200	200/208	3	60
14L-28B	3111	65	510	230	230/240	3	60
14L-40B	3111	65	510	380	380	3	60
14L-46B	3111	65	510	460	440/460/480	3	60
14L-50B	3111	65	510	400	380/400/415	3	50
14L-58B	3111	65	510	575	575/600	3	60
26L-17B	5780	125	850	200	200/208	3	60
26L-28B	5780	125	850	230	230/240	3	60
26L-40B	5780	125	850	380	380	3	60
26L-46B	5780	125	850	460	440/460/480	3	60
26L-50B	5780	125	850	400	380/400/415	3	50
26L-58B	5780	125	850	575	575/600	3	60
33L-17B	7333	215	1050	200	200/240	3	60
33L-40B	7333	215	1050	380	380	3	60
33L-46B	7333	215	1050	230	230/240	3	60
33L-50B	7333	215	1050	400	380/400/415	3	50
33L-58B	7333	215	1050	460	440/460/480	3	60

**TABLE 16 - MEDIUM VOLTAGE UNIT MOUNTED SOLID-STATE STARTER MODELS**

MODEL UNIT MOUNTED MV-SSS	MAXIMUM FLA	MAXIMUM LRA	RATED VOLTAGE AND FREQUENCY		
UMVSSS0853K105-V V	105	1896	2300/60 HZ	3300/50 Hz	4160/60 HZ
UMVSSS0853K190-V V	190	1896			
UMVSSS0853K280-V V	280	1896			
UMVSSS0853K389-V V	389	1896			
UMVSSS1708K389-V V	389	3796			

NOTE: Confirm availability in YorkWorks

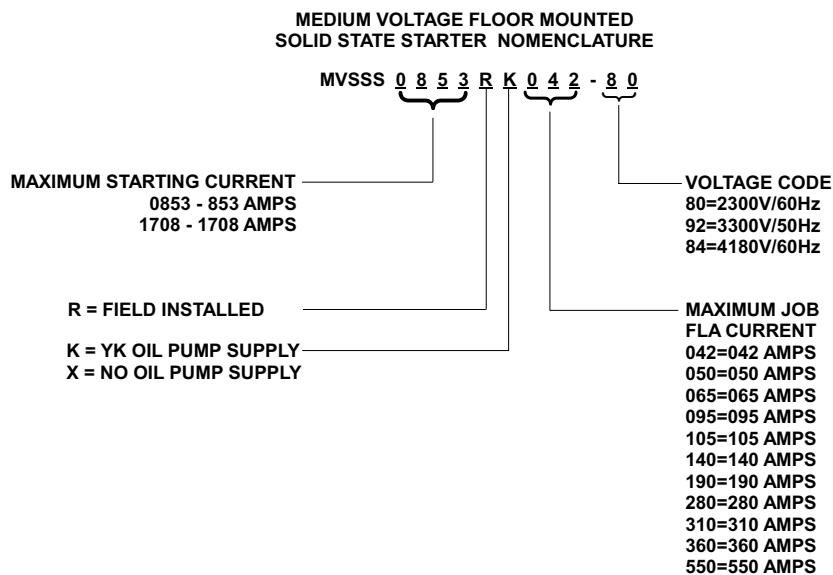




# Application Data (Cont'd)

**TABLE 17 - MEDIUM VOLTAGE FLOOR MOUNTED SOLID-STATE STARTER MODELS**

MODEL FLOOR MOUNTED MV-SSS	MAXIMUM FLA	MAXIMUM LRA
<b>36 IN. CABINET UNIT MODEL REFERENCE CHART</b>		
MVSS0853R_042-V	42	1896
MVSS0853R_050-V	50	1896
MVSS0853R_065-V	65	1896
MVSS0853R_095-V	95	1896
MVSS0853R_105-V	105	1896
MVSS0853R_140-V	140	1896
MVSS0853R_190-V	190	1896
MVSS0853R_280-V	280	1896
MVSS0853R_310-V	310	1896
MVSS0853R_360-V	360	1896
MVSS1708R_360-V	360	3796
<b>72 IN. CABINET UNIT MODEL REFERENCE CHART</b>		
MVSS1708R_550-V	550	3796



# Application Data (Cont'd)

**TABLE 18 - AVAILABLE COMPRESSOR/SHELL/MOTOR COMBINATIONS**

COMPRESSOR	EVAPORATOR SHELL CODES	CONDENSER SHELL CODES	MOTOR CODES	
			60 HZ	50 HZ
Q3, Q4	2C, 2D, 2E	2P, 2Q, 2R, 2S, 22, 23	CH-CZ EH-EZ	5CE-5CU 5EE-5EU
	4C, 4D, 4E, 4F, 4G, 4H, 4I	4P, 4Q, 4R, 4S, 42, 43, 44, 45		
Q5, Q6, Q7	4C, 4D, 4E, 4F, 4G, 4H, 4I	4P, 4Q, 4R, 4S, 42, 43, 44, 45	CH-CZ EH-EZ	5CE-5CU 5EE-5EU
	6A, 6B, 6C, 6D, 6E, 6F	4P, 4Q, 4R, 4S, 42, 43, 44, 45		
	6A, 6B, 6C, 6D, 6E, 6F*	6P, 6Q, 6R, 6S, 6T, 63, 64		
H9	HG, HK, HL, HN, HP, HC, HE, H5, H7, H9, H1, H3	FC, FE, FG, FK, FL, F1, F3, F5, F6, F7, F9	CN-CA EN-EA	5CK-5CW 5EK-5EW
	KC, KE, KG, KK, KL, K1, K3, K5, K7, K9, LC, LE, LG, LK, LL, L1, L3, L5, L7, L9	KC, KE, KG, KK, KL, K0, K1, K2, K3, K5, K7, K9, LC, LE, LG, LK, LL, L0, L1, L2, L3, L5, L7, L9		
	OC, OE, OG, OK, OL, O1, O3, O5, O7, O9, PC, PE, PG, PK, PL, P1, P3, P5, P7, P9	OC, OE, OG, OK, OL, O1, O3, O5, O7, O9, PC, PE, PG, PK, PL, P1, P3, P5, P7, P9		
P8, P9	GG, GK, GL, GN, GP, GC, GE, G5, G7, G9, G1, G3, HG, HK, HL, HN, HP, HC, HE, H5, H7, H9, H1, H3	EC, EE, EG, EK, EL, E1, E3, E5, E6, E7, E9, FC, FE, FG, FK, FL, F1, F3, F5, F6, F7, F9	CH-CZ EH-EZ	5CE-5CU 5EE-5EU
	KC, KE, KG, KK, KL, K1, K3, K5, K7, K9	KC, KE, KG, KK, KL, K0, K1, K2, K3, K5, K7, K9		
K1	KC, KE, KG, KK, KL, K1, K3, K5, K7, K9, LC, LE, LG, LK, LL, L1, L3, L5, L7, L9	KC, KE, KG, KK, KL, K0, K1, K2, K3, K5, K7, K9, LC, LE, LG, LK, LL, L0, L1, L2, L3, L5, L7, L9	CS-DC ES-FC	5CN-5DC 5EN-5FB
	MC, ME, MG, M1, M3, M5, NC, NE, NG, N1, N3, N5	KC, KE, KG, KK, KL, K0, K1, K2, K3, K5, K7, K9, LC, LE, LG, LK, LL, L0, L1, L2, L3, L5, L7, L9		
	OC, OE, OG, OK, OL, O1, O3, O5, O7, O9, PC, PE, PG, PK, PL, P1, P3, P5, P7, P9	OC, OE, OG, OK, OL, O1, O3, O5, O7, O9, PC, PE, PG, PK, PL, P1, P3, P5, P7, P9		
	QC, QE, QG, QK, QL, Q3, Q5, Q7, Q9, RC, RE, RG, RK, RL, R3, R4, R5, R7, R9	QC, QE, QG, QK, QL, Q1, Q3, Q5, Q7, Q9, RC, RE, RG, RK, RL, R1, R3, R5, R7, R9		
K2	MC, ME, MG, M1, M3, M5, NC, NE, NG, N1, N3, N5	KC, KE, KG, KK, KL, K0, K1, K2, K3, K5, K7, K9, LC, LE, LG, LK, LL, L0, L1, L2, L3, L5, L7, L9	CS-DC ES-FC	5CN-5DC 5EN-5FB
	OC, OE, OG, OK, OL, O1, O3, O5, O7, O9, PC, PE, PG, PK, PL, P1, P3, P5, P7, P9	OC, OE, OG, OK, OL, O1, O3, O5, O7, O9, PC, PE, PG, PK, PL, P1, P3, P5, P7, P9		
	QC, QE, QG, QK, QL, Q3, Q5, Q7, Q9, RC, RE, RG, RK, RL, R3, R4, R5, R7, R9	QC, QE, QG, QK, QL, Q1, Q3, Q5, Q7, Q9, RC, RE, RG, RK, RL, R1, R3, R5, R7, R9		
	SC, SE, SG, SH, SK, S1, S2, S3, S4, S5, S7, S9	SC, SE, SG, SK, S1, S2, S3, S4, S5, S7, S9		

NOTE: \*Available from Wuxi source.

## Application Data (Cont'd)

**TABLE 18 - AVAILABLE COMPRESSOR/SHELL/MOTOR COMBINATIONS (CONT'D)**

COMPRESSOR	EVAPORATOR SHELL CODES	CONDENSER SHELL CODES	MOTOR CODES	
			60 HZ	50 HZ
K3	RC, RE, RG, RK, RL, R3, R4, R5, R7, R9	RC, RE, RG, RK, RL, R1, R3, R5, R7, R9	DA-DJ FA- FD	5DA-5DH 5FA-5FB
	SC, SE, SG, SH, SK, S1, S2, S3, S4, S5, S7, S9, TC, TE, TG, TH, TK, T1, T2, T3, T4, T5, T7, T9	SC, SE, SG, SK, S1, S2, S3, S4, S5, S7, S9, TC, TE, TG, TK, T1, T2, T3, T4, T5, T7, T9		
	UC, UE, UG, UK, U1, U2, U3, U5, U7, U8, U9, VC, VE, VG, VK, V1, V2, V3, V5, V7, V8, V9	UC, UE, UG, UK, U1, U3, U9, VC, VE, VG, VK, V1, V3, V9		
K4	SC, SE, SG, SH, SK, S1, S2, S3, S4, S5, S7, S9, TC, TE, TG, TH, TK, T1, T2, T3, T4, T5, T7, T9	SC, SE, SG, SK, S1, S2, S3, S4, S5, S7, S9, TC, TE, TG, TK, T1, T2, T3, T4, T5, T7, T9	DA-DJ FA- FD	5DA-5DJ 5FA-5FB
	UC, UE, UG, UK, U1, U2, U3, U5, U7, U8, U9, VC, VE, VG, VK, V1, V2, V3, V5, V7, V8, V9	UC, UE, UG, UK, U1, U3, U9, VC, VE, VG, VK, V1, V3, V9		
	VC, VE, VG, VK, V1, V2, V3, V5, V7, V8, V9	WC, WG, W1, W3, W4, W5, W6, W7, W9		
	XC, XE, XG, X1, X3, X5, X6, X7, X9	YC, YG, Y1, Y2, Y3, Y4, Y5, Y7, Y9		
K7	VC, VE, VG, VK, V1, V2, V3, V5, V7, V8, V9	WC, WG, W1, W3, W4, W5, W6, W7, W9	DD-DL	5DD-5DL
	WC, WE, WG, WK, W1, W2, W3, W5, W6, W7, W9, YC, YE, YG, YK, Y1, Y2, Y3, Y5, Y6, Y7, Y9	WC, WG, W1, W3, W4, W5, W6, W7, W9, ZC, ZG, Z1, Z3, Z4, Z5, Z6, Z7, Z9		
	XC, XE, XG, X1, X3, X5, X6, X7, X9	WC, WG, W1, W3, W4, W5, W6, W7, W9		
	XC, XE, XG, X1, X3, X5, X6, X7, X9	YC, YG, Y1, Y2, Y3, Y4, Y5, Y7, Y9		
	ZC, ZE, ZG, Z1, Z2, Z3, Z5, Z7, Z9	YC, YG, Y1, Y2, Y3, Y4, Y5, Y7, Y9		

# Weights

**TABLE 19 - APPROXIMATE UNIT WEIGHT INCLUDING MOTOR FOR HYBRID FALLING FILM EVAPORATOR UNITS**

UNIT	COMPRESSOR	SHIPPING WEIGHT LBS. (KGS)	OPERATING WEIGHT LBS. (KGS)	EST. REFRIGERANT CHARGE LBS. (KGS) <sup>1</sup>
2C-2E	Q3, Q4	10083 (4574)	12094 (5486)	690 (313)
4C-4I	Q3, Q4, Q5, Q6, Q7	13458 (6104)	16492 (7481)	914 (415)
6A-6X	Q5, Q6, Q7	15766 (7151)	20021 (9081)	1357 (616)
G-E	P8,P9	20241 (9181)	22137 (10041)	1208 (548)
H-F	P8, P9, H9	22525 (10217)	26591 (12061)	1377 (625)
K-K	P8, P9, H9, K1	27139 (12310)	30212 (13704)	1811 (821)
L-L	H9, K1	24342 (11041)	27766 (12594)	2181 (989)
M-K	K1, K2	27459 (12455)	31295 (14195)	1919 (870)
N-L	K1, K2	29138 (13217)	33387 (15144)	2322 (1053)
O-O	H9, K1, K2	30639 (13898)	35238 (15984)	2338 (1060)
P-P	H9, K1, K2	32539 (14760)	37497 (17008)	2849 (1292)
Q-Q	K1, K2	34646 (15718)	41751 (18938)	2800 (1270)
R-R	K1, K2, K3	37095 (16826)	45078 (20447)	3305 (1499)
S-S	K3, K4	52471 (23800)	65080 (29520)	3267 (1482)
T-T	K3, K4	56274 (25525)	70161 (31824)	3701 (1679)
U-U	K3, K4	57220 (25955)	71984 (32651)	3417 (1550)
V-V	K3, K4	61122 (27724)	77361 (35090)	3870 (1755)
V-W	K4, K7	63659 (28875)	81292 (36873)	4396 (1994)
X-Y	K4, K7	85185 (38639)	108946 (49417)	4915 (2229)

NOTE: <sup>1</sup> Refrigerant charge quantity and weights will vary based on tube count and configuration. Use for reference only.

**TABLE 20 - APPROXIMATE EVAPORATOR MARINE WATERBOX WEIGHTS LBS. (KG) (TO BE ADDED TO STANDARD UNIT WEIGHTS SHOWN ON TABLE 19)**

UNIT	COMPRESSOR	SHIPPING WEIGHT			OPERATING WEIGHT		
		INCREASE - LBS. (KGS)			INCREASE - LBS. (KGS)		
		1-PASS	2-PASS	3-PASS	1-PASS	2-PASS	3-PASS
2C-2E	Q3, Q4	426 (193)	278 (126)	NA	914 (415)	493 (224)	NA
4C-4I	Q3, Q4, Q5, Q6, Q7	502 (228)	358 (162)	NA	1170 (531)	655 (297)	NA
6A-6X	Q5, Q6, Q7	630 (286)	456 (207)	NA	1630 (739)	919 (417)	NA
G	P8,P9	2006 (910)	941 (427)	1442 (654)	2724 (1236)	1635 (742)	2283 (1036)
H	P8, P9, H9	2006 (910)	1398 (941)	1442 (654)	2724 (1236)	1635 (742)	2283 (1036)
K	P8, P9, H9, K1	2332 (1058)	1148 (521)	3006 (1090)	3299 (1496)	2089 (948)	3149 (1428)
L	H9, K1	2332 (1058)	1148 (521)	3006 (1090)	3299 (1496)	2089 (948)	3349 (1519)
M	K1, K2	4536 (2057)	2201 (998)	4602 (2087)	8311 (3770)	4098 (1859)	8090 (3670)
N	K1, K2	4536 (2057)	2201 (998)	4602 (2087)	8311 (3770)	4098 (1859)	8090 (3670)
O	H9, K1, K2	4886 (2216)	2430 (1102)	5048 (2290)	8661 (3929)	4327 (1963)	8536 (3872)
P	H9, K1, K2	4886 (2216)	2430 (1102)	5048 (2290)	8661 (3929)	4327 (1963)	8978 (4072)
Q	K1, K2	4896 (2221)	2446 (1109)	4962 (2251)	8053 (3653)	3701 (1679)	7676 (3482)
R	K1, K2, K3	4896 (2221)	2446 (1109)	4962 (2251)	8053 (3653)	3701 (1679)	7676 (3482)
S	K3, K4	4642 (2106)	4600 (2087)	4600 (2087)	7175 (3255)	5285 (2397)	6795 (3082)
T	K3, K4	4642 (2106)	2300 (1043)	4588 (2081)	7175 (3255)	2985 (1354)	6783 (3077)
U	K3, K4	4896 (2221)	2447 (1110)	4964 (2252)	8054 (3653)	3703 (1680)	7679 (3483)
V	K3, K4, K7	4896 (2221)	2447 (1110)	4964 (2252)	8054 (3653)	3703 (1680)	7679 (3483)
X	K4, K7	5612 (2546)	2865 (1300)	5724 (2596)	9227 (4185)	4068 (1845)	8832 (4006)

## Weights (Cont'd)

**TABLE 21 - CONDENSER MARINE WATERBOX WEIGHTS LBS. (KG) (TO BE ADDED TO STANDARD UNIT WEIGHTS SHOWN IN TABLE 19)**

UNIT	COMPRESSOR	SHIPPING WEIGHT			OPERATING WEIGHT		
		INCREASE - LBS. (KGS.)			INCREASE - LBS. (KGS.)		
		1-PASS	2-PASS	3-PASS	1-PASS	2-PASS	3-PASS
2P-23	Q3, Q4	496 (225)	286 (130)	462 (210)	1060 (481)	600 (272)	880 (399)
4P-45	Q3, Q4, Q5, Q6, Q7	634 (288)	411 (186)	600 (272)	1478 (670)	976 (443)	1384 (628)
6P-64	Q5, Q6, Q7	862 (391)	573 (260)	766 (347)	2062 (935)	1324 (601)	1742 (790)
E	P8,P9	1380 (626)	643 (292)	1899 (861)	1944 (882)	1184 (537)	1352 (613)
F	H9	1380 (626)	643 (292)	1899 (861)	1944 (882)	1184 (537)	1352 (613)
K	H9, K1	1912 (867)	940 (426)	2686 (1218)	2711 (1230)	1712 (777)	1906 (865)
L	H9, K1	1912 (867)	940 (426)	2711 (1230)	2711 (1230)	1712 (777)	1912 (867)
K	K1, K2	1912 (867)	940 (426)	2686 (1218)	2711 (1230)	1712 (777)	1906 (865)
L	K1, K2	1912 (867)	940 (426)	2686 (1218)	2711 (1230)	1712 (777)	1906 (865)
O	H9, K1, K2	2088 (947)	1005 (456)	4042 (1833)	4376 (1985)	1876 (851)	2292 (1040)
P	H9, K1, K2	2088 (947)	1005 (456)	4042 (1833)	4376 (1985)	1876 (851)	2292 (1040)
Q	K1, K2	3496 (1586)	1823 (827)	6420 (2912)	6610 (2998)	3262 (1480)	3656 (1658)
R	K1, K2, K3	3496 (1586)	1823 (827)	6420 (2912)	6610 (2998)	3262 (1480)	3656 (1658)
S	K3, K4	3548 (1609)	1814 (823)	3658 (1659)	5828 (2644)	2626 (1191)	5517 (2502)
T	K3, K4	3548 (1609)	1814 (823)	3658 (1659)	5828 (2644)	2626 (1191)	5517 (2502)
U	K3, K4	3616 (1640)	1851 (840)	3734 (1694)	6103 (2768)	2736 (1241)	5762 (2614)
V	K3, K4	3616 (1640)	1851 (840)	3734 (1694)	6103 (2768)	2736 (1241)	5762 (2614)
W	K4, K7	5006 (2271)	2443 (1108)	4938 (2240)	8527 (3868)	3346 (1518)	7409 (3361)
Y	K4, K7	5916 (2683)	2914 (1322)	5930 (2690)	9827 (4457)	4117 (1867)	9038 (4100)

THIS PAGE INTENTIONALLY LEFT BLANK.

# Guide Specifications

## GENERAL

Furnish and install where indicated on the drawings \_\_\_ YORK® YK Centrifugal Liquid Chilling Unit(s). Each unit shall produce a capacity \_\_\_ tons, cooling \_\_\_ GPM of \_\_\_ from \_\_\_ °F to \_\_\_ °F when supplied with \_\_\_ GPM of condenser water at \_\_\_ °F. Power input shall not exceed \_\_\_ kW with an IPLV (NPLV) of \_\_\_. The evaporator shall be selected for a \_\_\_ fouling factor and a maximum liquid pressure drop of \_\_\_ ft. The waterside shall be designed for 150 psig working pressure. The condenser shall be selected for \_\_\_ fouling factor and maximum liquid pressure drop of \_\_\_ ft. The waterside shall be designed for 150 psig working pressure. Power shall be supplied to the compressor motor at \_\_\_ volts- 3 phase-60 Hertz and controls at 115 volts -1-phase-60 Hertz.

Or

Furnish and install where indicated on the drawings \_\_\_ YORK® YK Centrifugal Liquid Chilling Unit(s). Each unit shall produce a capacity of \_\_\_ kW, cooling \_\_\_ l/s of \_\_\_ from \_\_\_ °C to \_\_\_ °C when supplied with \_\_\_ l/s of condenser water at \_\_\_ °C. Power input shall not exceed \_\_\_ kW with an IPLV (NPLV) of \_\_\_. The evaporator shall be selected for \_\_\_ m<sup>2</sup> C/W fouling factor and maximum liquid pressure drop of \_\_\_ kPa. The waterside shall be designed for 10.3 barg working pressure. The condenser shall be selected for \_\_\_ fouling factor and maximum liquid pressure drop of \_\_\_ kPa. The waterside shall be designed for 10.3 barg working pressure. Power shall be supplied to the compressor motor at \_\_\_ volts - 3-phase-50 Hertz and controls at 115 volts -1-phase-50 Hertz.

## COMPRESSOR

The compressor shall be a single stage centrifugal type powered by an open drive electric motor. The housing shall be fully accessible with vertical circular joints, with the complete operating assembly removable from the compressor and scroll housing. Compressor castings shall be designed for a minimum 235 psig (16.2 barg) working pressure and hydrostatically pressure tested at a minimum of 352 psig (24.3 barg). The rotor assembly shall consist of a heat treated steel alloy drive shaft and impeller shaft with cast aluminum, fully shrouded impeller. The impeller shall be designed for balanced thrust, dynamically balanced and overspeed tested for smooth, vibration free operation. Insert type journal and thrust bearings shall be fabricated of aluminum alloy, precision bored and axially grooved.

Internal single helical gears with crowned teeth shall be designed so that more than one tooth is in contact at all times to provide even load distribution and quiet operation. Each gear shall be individually mounted in its own journal and thrust bearings to isolate it from impeller and motor forces. Shaft seal shall be provided as a double bellows, double-seal, cartridge type. A gravity-fed oil reservoir shall be built into the top of the compressor to provide lubrication during coastdown in the event of a power failure.

## Guide Specifications (Cont'd)

**(Fixed Speed Drive)** Capacity control shall be achieved by use of pre-rotation vanes to provide fully modulating control from full load to minimum load. **(Variable Speed Drive)** Capacity control shall be accomplished by the Adaptive Capacity Control (ACC), providing optimal relationship between compressor speed and inlet pre-rotation vane position for maximum energy efficiency. Control shall automatically compensate for adverse operating conditions, such as fouled tubes, and adjust to prior operation after correction of these conditions.

The unit shall be capable of continuous, reliable operation with low ECWT at all load conditions as outlined on the equipment schedule. An external electric actuator shall automatically control pre-rotation vane position.

### LUBRICATION SYSTEM

Lubrication oil shall be force-fed to all compressor bearings, gears, and rotating surfaces by an external variable speed oil pump. The oil pump shall vary oil flow to the compressor based on operating and stand-by conditions, ensuring adequate lubrication at all times. The oil pump shall operate before start-up, during compressor operation, and during coastdown. Compressor shall have an auxiliary reservoir to provide lubrication during coastdown in the event of a power failure.

An oil reservoir, separate from the compressor, shall contain the submersible 2 HP oil pump and a 3000 watt oil heater, thermostatically controlled to remove refrigerant from the oil. The oil reservoir shall be listed as part of the chiller by a nationally recognized testing laboratory and shall be factory air strength tested at 1.1 times design working pressure.

Oil shall be filtered by an externally-mounted 1/2 micron replaceable cartridge oil filter equipped with service valves. Oil cooling shall be done via refrigerant cooled oil cooler, with all piping factory-installed. Oil side of the oil cooler shall be provided with service valves. An automatic oil return system to recover any oil that may have migrated to the evaporator shall be provided. Oil piping shall be completely factory-installed and tested.

### WATER-COOLED OIL COOLER

Optional condenser water-cooled oil cooler is offered for units with Q3 - Q7 compressors only. The four tube pass and one shell pass oil cooler is by API Basco, Model 05036 [shell diameter 5 in. (127 mm) OD, tube length 36 in. (914 mm)]. The shell is steel pipe or tubing and tube sheets are steel to ASME specification. Baffles are precision hot-rolled, punched, carbon steel to assure effective circulation by providing minimum clearances between the tubes and tube holes. The cooler is a straight-tube type and has 180 plain copper tubes of 1/4 in. (6.4 mm) OD with 24 BWG.

The heat exchanger has either cast iron bonnets to be used for 150 psig (10.3 barg) condenser waterboxes or carbon steel bonnets to be used for 300 psig (20.6 barg) condenser waterboxes. Condenser water is the cooling medium and water circulation is obtained by the water pressure drop across the condenser shell. The minimum requirement of 7 to 8 gpm (0.4 to 0.5 l/s) water for this oil cooler is provided at a pressure drop as low as 3 ft.



## Guide Specifications (Cont'd)

### MOTOR DRIVELINE

The compressor motor shall be an open drip proof, squirrel cage, induction type operating at 3570 rpm for 60 Hz operation and 2975 rpm for 50 Hz operation.

The open motor shall be provided with a D-flange. The D-flange is bolted to a cast iron adaptor mounted on the compressor. This allows the motor to be rigidly coupled to the compressor to provide factory alignment of motor and compressor shafts.

The motor drive shaft shall be directly connected to the compressor shaft with a flexible disc coupling. Coupling shall have all metal construction with no wearing parts to assure long life, and no lubrication requirements to provide low maintenance. For units utilizing remote electromechanical starters, a large steel terminal box with gasketed front access cover shall be provided for field-connected conduit.

Overload/overcurrent transformers shall be furnished with all units. (For units furnished with factory-packaged Solid-State Starters or Variable Speed Drive, refer to the "Options" section.)

### EVAPORATOR

Evaporator shall be a shell and tube type, hybrid falling film designed for a minimum of 235 psig (16.2 barg) on shell codes up through P and 180 psig (12.4 barg) on Q and larger compressor models; working pressure on the refrigerant side. Shell shall be fabricated from rolled carbon steel plates with fusion welded seams, carbon steel tube sheets, drilled and reamed to accommodate the tubes, and intermediate tube supports spaced no more than four feet apart. The refrigerant side of each shell is designed, tested and stamped in accordance with ASME Boiler and Pressure Vessel Code, Section VIII - Division 1, or other pressure vessel code as appropriate.

Heat exchanger tubes shall be high-efficiency, externally and internally enhanced type. Tubes shall utilize the "skip-fin" design, providing a smooth internal and external surface at each intermediate tube support. This provides extra wall thickness and non-work hardened copper at the support location, extending the life of the heat exchangers. If skip-fin tubes are not used, minimum tube wall thickness shall be 0.035 in. (~1 mm). Each tube shall be roller expanded into the tube sheets providing a leak-proof seal, and be individually replaceable. Water velocity through the tubes shall not exceed 12 ft/s (3.7 m/s). A liquid level sight glass shall be provided on the side of the shell to aid in determining proper refrigerant charge and to check condition of the refrigerant charge. The hybrid falling film evaporator design has suction baffles around the sides and above the falling film section to prevent liquid refrigerant carryover into the compressor. The evaporator shall have a refrigerant relief device sized to meet the requirements of the ASHRAE 15 Safety Code for Mechanical Refrigeration.

Waterboxes shall be removable to permit tube cleaning and replacement. Stub-out water connections having ANSI/AWWA C-606 grooves to ANSI/AWWA C-606 Standard for Grooved End Shoulder Joints shall be provided. Waterboxes shall be designed for 150 psig (10.3 barg) design working pressure and be tested at 225 psig (15.5 barg). Vent and drain connections with plugs shall be provided on each waterbox. Low flow protection shall be provided by a thermal-type water flow sensor, factory mounted in the water nozzle connection and wired to the chiller control panel.

## Guide Specifications (Cont'd)

### CONDENSER

Condenser shall be of the shell-and-tube type, designed for a minimum of 235 psig (16.2 barg) working pressure on the refrigerant side. Shell shall be fabricated from rolled carbon steel plates with fusion-welded seams. Carbon steel tube sheets, drilled and reamed to accommodate the tubes, are welded to the end of each shell. Intermediate tube supports, fabricated from carbon steel plates, are drilled and reamed to eliminate sharp edges. The refrigerant side of each shell is designed, tested and stamped in accordance with ASME Boiler and Pressure Vessel Code, Section VIII – Division I, or other pressure vessel code as appropriate.

Heat exchanger tubes shall be high efficiency, externally and internally enhanced type. Tubes shall utilize the “skip-fin” design, providing a smooth internal and external surface at each intermediate tube support. This provides extra wall thickness and non work-hardened copper at the support location, extending the life of the heat exchangers. If skip-fin tubes are not used, minimum tube wall thickness shall be 0.035 in. (~1 mm). Each tube shall be roller expanded into the tube sheets providing a leak-proof seal, and be individually replaceable. Water velocity through the tubes shall not exceed 12 ft/s (3.7 m/s). A liquid level sight glass shall be provided on the side of the shell to aid in determining proper refrigerant charge and to check condition of the refrigerant charge.

The condenser shall have dual refrigerant relief devices; each sized to meet the requirements of the ASHRAE 15 Safety Code for Mechanical Refrigeration. Arrangement shall allow either valve to be isolated and replaced without removing the unit refrigerant charge.

**(Option)** The condenser shall be provided with positive shutoff valves in the compressor discharge line to the condenser and in the liquid line leaving the condenser. This will allow pumpdown and storage of the refrigerant charge in the condenser. Due to the possibility of not seating properly, check valves are not acceptable for isolation purposes. If a check valve is used, a positive shutoff valve must be provided in series with the check valve.

Waterboxes shall be removable to permit tube cleaning and replacement. Stubout water connections having ANSI/AWWA C-606 grooves shall be provided. Waterboxes shall be designed for 150 psig (10.3 barg) design working pressure and be tested at 225 psig (15.5 barg). Vent and drain connections with plugs shall be provided on each waterbox.

### REFRIGERANT FLOW CONTROL

Refrigerant flow to the evaporator shall be controlled by a variable orifice. The variable orifice control shall automatically adjust to maintain proper refrigerant level in the condenser and evaporator. This shall be controlled by monitoring the refrigerant liquid level in the condenser, assuring optimal subcooler performance.

### OPTIVIEW™ CONTROL CENTER

**General** – The chiller shall be controlled by a stand-alone, microprocessor based control center. The chiller control panel shall provide control of chiller operation and monitoring of chiller sensors, actuators, relays and switches.

## Guide Specifications (Cont'd)

**Control Panel** – The control panel shall include a 10.4 in. (264 mm) diagonal color liquid crystal display (LCD) surrounded by “soft” keys which are redefined based on the screen displayed at that time. This shall be mounted in the middle of a keypad interface and installed in a locked enclosure. The screen shall detail all operations and parameters, using a graphical representation of the chiller and its major components. The panel verbiage is available in eight languages as standard and can be changed on the fly without having to turn off the chiller. Data shall be displayed in either English or Metric units. Smart Freeze Point Protection shall run the chiller at 36°F (2°C) leaving chilled water temperature, and not have nuisance trips on low water temperature. The sophisticated program and sensor shall monitor the chiller water temperature to prevent freeze-up. When needed, Hot Gas Bypass is available as an option.

The panel shall display countdown timer messages so the operator knows when functions are starting and stopping. Every programmable point shall have a pop-up screen with the allowable ranges, so that the chiller cannot be programmed to operate outside of its design limits.

The chiller control panel shall also provide:

A. System operating information including:

1. Return and leaving chilled water temperature
2. Return and leaving condenser water temperature
3. Evaporator and condenser saturation temperature
4. Differential oil pressure
5. Percent motor current
6. Compressor discharge temperature
7. Oil reservoir temperature
8. Compressor thrust bearing positioning and oil temperature
9. Operating hours
10. Number of unit starts

B. Digital programming of setpoints through the universal keypad including:

1. Leaving chilled water temperature
2. Percent current limit
3. Pull-down demand limiting
4. Six-week schedule for starting and stopping the chiller, pumps and tower
5. Remote reset temperature range

## ***Guide Specifications (Cont'd)***

### C. Status messages indicating:

1. System ready to start
2. System running
3. System coastdown
4. System safety shutdown – manual restart
5. System cycling shutdown – auto restart
6. System pre-lube

### D. The text displayed within the system status and system details field shall be displayed as a color-coded message to indicate severity: red for safety fault, orange for cycling faults, yellow for warnings, and green for normal messages.

### E. Safety shutdowns enunciated through the display and the status bar, and consist of system status, system details, day, time, cause of shutdown, and type of restart required. Safety shutdowns with a fixed speed drive shall include:

1. Evaporator – low pressure
2. Evaporator – transducer or leaving liquid probe
3. Evaporator – transducer or temperature sensor
4. Condenser – high pressure contacts open
5. Condenser – high pressure
6. Condenser – pressure transducer out-of-range
7. Auxiliary safety – contacts closed
8. Discharge – high temperature
9. Discharge – low temperature
10. Oil – high temperature
11. Oil – low differential pressure
12. Oil – high differential pressure
13. Oil – sump pressure transducer out-of-range
14. Oil – differential pressure calibration
15. Oil – variable speed pump – pressure setpoint not achieved
16. Control panel – power failure
17. Motor or starter – current imbalance
18. Thrust bearing – position switch (Q compressors)
19. Watchdog – software reboot

## Guide Specifications (Cont'd)

F. Safety shutdowns with a VSD shall include:

1. VSD shutdown – requesting fault data
2. VSD – stop contacts open
3. VSD – 105% motor current overload
4. VSD – high phase A, B, C inverter heat-sink temp
5. VSD – high converter heat-sink temperature

**(Filter Option Only)**

6. Harmonic filter – high heat-sink temperature
7. Harmonic filter – high total demand distribution

G. Cycling shutdowns enunciated through the display and the status bar, and consists of system status, system details, day, time, cause of shutdown, and type of restart required. Cycling shutdowns with a fixed speed drive shall include:

1. Multi-unit cycling – contacts open
2. System cycling – contacts open
3. Oil – low temperature differential
4. Oil – low temperature
5. Control panel – power failure
6. Leaving chilled liquid – low temperature
7. Leaving chilled liquid – flow switch open
8. Motor controller – contacts open
9. Motor controller – loss of current
10. Power fault
11. Control panel – schedule
12. Starter – low supply line voltage (SSS option)
13. Starter – high supply line voltage (SSS option)
14. Oil – variable speed pump – drive contacts open

H. Cycling shutdowns with a VSD shall include:

1. VSD shutdown – requesting fault data
2. VSD – stop contacts open
3. VSD – initialization failed

## **Guide Specifications (Cont'd)**

4. VSD – high phase A, B, C instantaneous current
5. VSD – Phase A, B, C gate driver
6. VSD – single phase input power
7. VSD – high DC bus voltage
8. VSD – pre charge DC bus voltage imbalance
9. VSD – high internal ambient temperature
10. VSD – invalid current scale selection
11. VSD – low phase A, B, C inverter heat-sink temp
12. VSD – low converter heat-sink temperature
13. VSD – pre-charge – low DC bus voltage
14. VSD – logic board processor
15. VSD – run signal
16. VSD – serial communications

### **(Filter Option Only)**

1. Harmonic filter – logic board or communications
  2. Harmonic filter – high DC bus voltage
  3. Harmonic filter – high phase A, B, C current
  4. Harmonic filter – phase locked loop
  5. Harmonic filter – pre-charge – low DC bus voltage
  6. Harmonic filter – DC bus voltage imbalance
  7. Harmonic filter – 110% input current overload
  8. Harmonic filter – logic board power supply
  9. Harmonic filter – run signal
  10. Harmonic filter – DC current transformer
  11. Harmonic filter – DC current transformer
- I. Security access to prevent unauthorized change of setpoints, to allow local or remote control of the chiller, and to allow manual operation of the pre-rotation vanes and oil pump. Access shall be through ID and password recognition, which is defined by three different levels of user need: view, operator, and service.
- J. Trending data with the ability to customize points of once every second to once every hour. The panel shall trend up to 6 different parameters from a list of over 140, without the need of an external monitoring system.

## Guide Specifications (Cont'd)

- K. The operating program stored in non-volatile flash memory to eliminate reprogramming the chiller due to AC power failure or battery discharge. Programmed setpoints shall be retained in flash memory for a minimum of 20 years with power removed from the system.
- L. A fused connection through a transformer in the compressor motor starter to provide individual over-current protected power for all controls.
- M. A numbered terminal strip for all required field interlock wiring.
- N. All of the chiller operating parameters are datalogged to an SD card in an Excel compatible .csv format. There is no limit on the SD card size; an 8 GB card will log over a month's worth of data. The Data Logging button may be used to select the mode of Data Logging. If "SD" or "Serial and SD" is selected, the chiller operating data shall be recorded at the Data Logging Interval into the SD card. The Data logging interval can be programmed on the Serial/SD Screen.
- O. The capability to interface with a building automation system via hard-wired connections to each feature to provide:
  1. Remote chiller start and stop
  2. Remote leaving chiller liquid temperature adjust
  3. Remote current limit setpoint adjust
  4. Remote ready to start contacts
  5. Safety shutdown contacts
  6. Cycling shutdown contacts
  7. Run contacts

### VARIABLE SPEED DRIVE

A variable speed drive shall be factory-installed on the chiller. It shall vary the compressor motor speed by controlling the frequency and voltage of the electrical power to the motor. The adaptive capacity control logic shall automatically adjust motor speed and compressor pre-rotation vane position independently for maximum part load efficiency by analyzing information fed to it by sensors located throughout the chiller.

Drive shall be PWM type utilizing IGBTs with a displacement power factor of 0.95 or better at all loads and speeds.

The variable speed drive shall be unit-mounted in a NEMA-1 enclosure with all power and control wiring between the drive and chiller factory-installed, including power to the chiller oil pump. Field power wiring shall be a single-point connection and electrical lugs for incoming power wiring shall be provided. The entire chiller package shall be certified to standard UL-1995 by a nationally recognized testing laboratory.

The variable speed drive is cooled by a closed loop, fresh water circuit consisting of a water-to-water heat exchanger and circulating pump. All interconnecting water piping is factory installed and rated for 150 psig (10.3 barg) working pressure.

## ***Guide Specifications (Cont'd)***

The following features shall be provided: a door interlocked circuit breaker, capable of being padlocked; UL listed ground fault protection; overvoltage and under voltage protection; 3-phase sensing motor overcurrent protection; single phase protection; insensitive to phase rotation; over temperature protection; digital readout at the chiller unit control panel of:

- Output Frequency
- Output Voltage
- 3-phase output current
- Input Kilowatts (kW) and Kilowatt-hours (kWh)
- Self diagnostic service parameters

Separate meters for this information shall not be acceptable.

**(Optional)** A harmonic filter that limits electrical power supply distortion from the variable speed drive in order to help the building comply with the guidelines of IEEE Std. 519-1992 shall be provided. The filter shall be unit mounted within the same NEMA 1 enclosure and shall be UL listed. The following digital readouts shall be provided at the chiller unit control panel as part of the filter package:

- Input KVA
- Total power-factor
- 3-phase input voltage
- 3-phase input current
- 3-phase input voltage total harmonic distortion (THD)
- 3-phase input current total demand distortion (TDD)
- Self diagnostic service parameters

Separate meters for this information shall not be acceptable.

### **FACTORY-INSTALLED COMPRESSOR MOTOR STARTER [OPTION THROUGH 900 HP (671 KW) 200 - 600 V]**

The chiller manufacturer shall furnish a reduced voltage Solid-State Starter for the compressor motor. Starter shall be factory mounted and wired on the chiller. The starter shall provide, through the use of silicon-controlled rectifiers, a smooth acceleration of the motor without current transitions or transients. The starter enclosure shall be NEMA 1, with a hinged access door with lock and key. Electrical lugs for incoming power wiring shall be provided.



## Guide Specifications (Cont'd)

Standard Features include: digital readout at the OptiView™ Control Center of the following:

### Display Only

- 3-phase voltage A, B, C
- 3-phase current A, B, C
- Input Power (kW)
- kW Hours
- Starter Model
- Motor Run (LED)
- Motor Current % Full Load Amps
- Current Limit Setpoints
- Pulldown Demand Time Left

### Programmable

- Local Motor Current Limit
- Pulldown Demand Limit
- Pulldown Demand Time

Other features include: low line voltage; 115 V control transformer; three-leg sensing overloads; phase rotation and single-phase failure protection; high temperature safety protection; motor current imbalance and under voltage safeties; open and close SCR protection; momentary power interruption protection. The Solid-State Starter is cooled by a closed loop, fresh water circuit consisting of a water-to-water heat exchanger and circulating pump. All interconnecting water piping is factory-installed and rated for 150 psig (10.3 barg) working pressure.

**(Optional)** Unit-mounted circuit breaker includes ground fault protection and provides 65,000 amps. Short circuit withstand rating in accordance with UL Standard 508. A non-fused disconnect switch is also available. Both options are lockable.

## Guide Specifications (Cont'd)

### FACTORY-INSTALLED COMPRESSOR MOTOR STARTER (2300 V AND 4160 V/3/60 HZ OR 3300 V/3/50 HZ)

The chiller manufacturer shall furnish a reduced-voltage, Medium Voltage Solid-State Starter, in accordance with the chiller manufacturer's starter specifications. The starter shall be of modular construction with complete access to all parts. The starter shall be tested and the design starting current and overload settings adjusted at the factory. The starter shall provide, through the use of six in-line (not inside the Delta) silicon controlled rectifiers (2 per phase), a smooth acceleration of the motor without current transitions or transients.

The following protective devices and convenience items shall be factory mounted and wired to the starter:

- A. 3-leg sensing electronic overloads – shuts unit down if current exceeds 105% of FLA to protect the motor windings.
- B. Phase rotation protection circuit – denies start-up when detecting incorrect power wiring phase sequence to the starter which could cause reverse motor rotation and damage the equipment.
- C. Single-phase failure protection circuit – ensures against motor burnout by shutting the unit down if power loss occurs in any of the incoming lines during start-up.
- D. High temperature safety protection system – temperature activated switches on heat sinks will shut the unit down if the SCR temperature exceeds acceptable limits.
- E. 3-phase digital ammeter and digital voltmeter readout via control center – easily cross-check design current and voltage limitations against supply characteristics.
- F. Starter mounted load break rated input disconnect switch with interlocked padlockable handle. Positive disconnecting means shall be visible from outside the enclosure, in operator area. All doors shall be interlocked with the disconnecting means.
- G. Open/Shorted SCR Protection – Failed semiconductor devices are automatically detected and reported via the Control Center.
- H. Power Fault Protection – momentary power interruption protection detects power interruptions within 3 line cycles and interrupts power to the compressor motor within 1 additional line cycle.
- I. Electrical connections – these tin-plated or copper bus bars provide easy connection to incoming copper power lines.
- J. Wattmeter – An instantaneous wattmeter tells the customer how much power the chiller is consuming. A kilowatt-hour energy meter is also provided to measure power consumption over a period of time.
- K. Shut down History – The Medium Voltage Solid-State Starter shall provide the system control panel with ten histories of previous unit shutdowns initiated by the starter.

In addition, the Starter shall include as standard, the following convenience items already mounted and wired to the starter at the factory:

- Auxiliary control supply transformer – eliminates the need for running separate 115 V-1 ph-50/60 Hz power source wiring to the chiller Control Center.

## ***Guide Specifications (Cont'd)***

### **REMOTE ELECTROMECHANICAL COMPRESSOR MOTOR STARTER (OPTION)**

A remote electromechanical starter of the R-1132 type shall be furnished for each compressor motor. The starter shall be furnished in accordance with the chiller manufacturer's starter specifications and as specified elsewhere in these specifications.

### **PORTABLE REFRIGERANT STORAGE/RECYCLING SYSTEM**

A portable, self-contained refrigerant storage/recycling system shall be provided consisting of a refrigerant compressor with oil separator, storage receiver, water-cooled condenser, filter drier and necessary valves and hoses to remove, replace and distill refrigerant. All necessary controls and safety devices shall be a permanent part of the system.

## Metric (SI) Conversion

Values provided in this manual are in the English inch-pound (I-P) system.  
The following factors can be used to convert from English to the most common SI Metric values.

MEASUREMENT	MULTIPLY THIS ENGLISH VALUE	BY	TO OBTAIN THIS METRIC VALUE
CAPACITY	TONS REFRIGERANT EFFECT (ton)	3.516	KILOWATTS (kW)
POWER	KILOWATTS (kW)	NO CHANGE	KILOWATTS (kW)
	HORSEPOWER (hp)	0.7457	KILOWATTS (kW)
FLOW RATE	GALLONS / MINUTE (gpm)	0.0631	LITERS / SECOND (L/s)
LENGTH	FEET (ft)	304.8	MILLIMETERS (mm)
	INCHES (in.)	25.4	MILLIMETERS (mm)
WEIGHT	POUNDS (lb)	0.4536	KILOGRAMS (kg)
VELOCITY	FEET / SECOND (fps)	0.3048	METERS / SECOND (m/s)
PRESSURE DROP	FEET OF WATER (ft)	2.989	KILOPASCALS (kPa)
	POUNDS / SQ. INCH (psi)	6.895	KILOPASCALS (k Pa)

### TEMPERATURE

To convert degrees Fahrenheit (°F) to degrees Celsius (°C), subtract 32° and multiply by 5/9 or 0.5556.

To convert a temperature range (i.e., 10°F or 12°F chilled water range) from Fahrenheit to Celsius, multiply by 5/9 or 0.5556.

FOULING FACTOR	
ENGLISH I-P (ft <sup>2</sup> °F hr/Btu)	EQUIVALENT SI METRIC (m <sup>2</sup> k/kW)
0.0001	0.018
0.00025	0.044
0.0005	0.088
0.00075	0.132

### EFFICIENCY

In the English I-P system, chiller efficiency is measured in kW / ton:

$$\text{kW / ton} = \frac{\text{kW input}}{\text{tons refrigerant effect}}$$

In the SI Metric system, chiller efficiency is measured in Coefficient of Performance (COP).

$$\text{COP} = \frac{\text{kW refrigeration effect}}{\text{kW input}}$$

kW / ton and COP are related as follows:

$$\text{kW/ton} = \frac{3.516}{\text{COP}}$$

$$\text{COP} = \frac{3.516}{\text{kW/ton}}$$

THIS PAGE INTENTIONALLY LEFT BLANK.

