



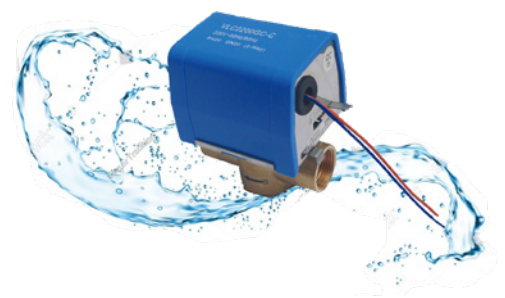
# VLC2000 Series Electric Zone Valves



## VLC2000 Series Electric Zone Valves

The VLC2000 Series is designed to control water flow according to signal received from the thermostat. This maintains the room temperature by adjusting water flow through the fan coil unit.

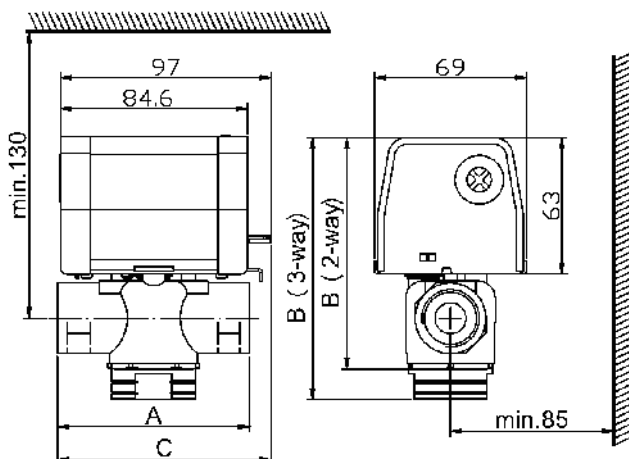
The VLC2000 Series features a spring return function, and are available in DN15/20/25/32 valve sizes. The valve and actuator can be easily assembled or disassembled on the field without accessories and commissioning.



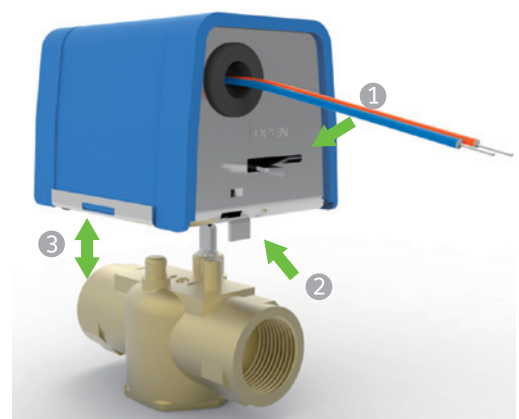
### Sizing Table

Model	Size	Type	Kv (Cv)	Close-off pressure	Weight (g)	Dimensions (mm)		
						A	B	C
VLC2200FC-C	DN15	2-way	1.7 (2.0)	0.45 MPa (65PSI)	700	70	106	91
VLC2200GC-C	DN20		2.2 (2.5)	0.35 MPa (50PSI)	850	87	106	99
VLC2200HC-C	DN25		3.0 (3.5)	0.20 MPa (30PSI)	1000	95.5	112	103
VLC2200JC-C	DN32		3.6 (4.2)	0.20 MPa (30PSI)	1200	104	123	107
VLC2300FC-C	DN15	3-way	1.7 (2.0)	0.45 MPa (65PSI)	750	70	115	91
VLC2300GC-C	DN20		2.6 (3.0)	0.35 MPa (50PSI)	900	87	120	99
VLC2300HC-C	DN25		3.4 (4.0)	0.20 MPa (30PSI)	1050	95.5	128	103

### Dimensions (mm)



### Valve and Actuator Assembly



- For normally-closed valve actuator installation, the manual operating lever must be placed in the 'open' position.
- It is important to note that the manual operating lever will move to the 'automatic' position when the valve is powered up for the first time.

# VLC2000 Application

The VLC2000 Series valves are designed for closed system applications. Open system applications are not recommended as high levels of dissolved oxygen and chlorine present in open systems may erode the valve material, resulting in premature failure.

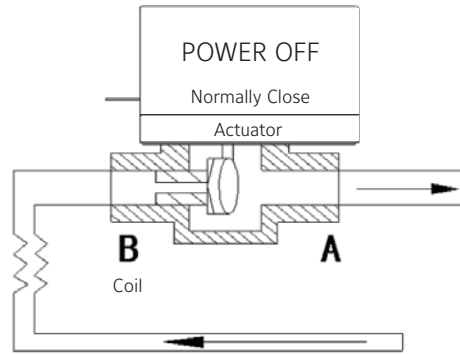


Fig.1: 2-way normally closed to the coil

3-way is only configured as N.C. to B port for N.O. configuration to the coil. simply turn the valve around.

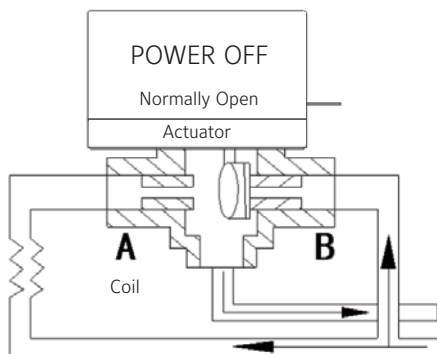


Fig.2: 3-way valve in mixing configuration, normally open to coil

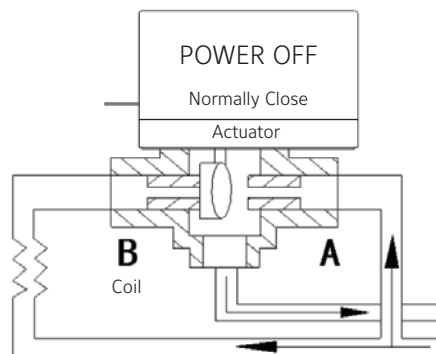


Fig.3: 3-way valve in mixing configuration, normally closed to coil

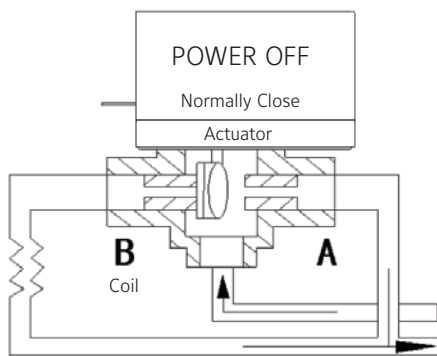


Fig.4: 3-way valve in diverting configuration, normally closed to coil

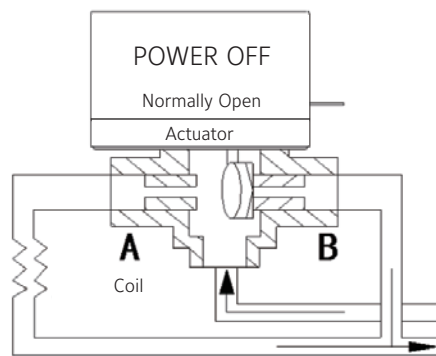


Fig.5: 3-way valve in diverting configuration, normally open to coil

## Specifications

Medium	Chilled or hot water	Pipe connections	ISO7/1 Rp (BSPP)
Fluid temperature range	0 ~ 94°C	Power supply	220±10%VAC, 50/60Hz
Working temperature range	0 ~ 50°C	Rated power	≤7VA
Working humidity range	10%~85%RH, non-condensing	Control	ON/OFF
Storage temperature	-10~60°C	Running time	Open <18 seconds, Close <8 seconds
Rated pressure	PN20	Action	Spring return, normally close
Working pressure	300 psi / 2.0 Mpa	Material	Valve body: Brass Sealing: EPDM

**About Johnson Controls:**

At Johnson Controls (NYSE:JCI) we transform the environments where people live, work, learn and play. As the global leader in smart, healthy and sustainable buildings, our mission is to reimagine the performance of buildings to serve people, places and the planet.

With a history of more than 135 years of innovation, Johnson Controls delivers the blueprint of the future for industries such as healthcare, schools, data centers, airports, stadiums, manufacturing and beyond through its comprehensive digital offering OpenBlue. With a global team of 100,000 experts in more than 150 countries, Johnson Controls offers the world's largest portfolio of building technology, software as well as service solutions with some of the most trusted names in the industry.

For more information, visit [www.johnsoncontrols.com](http://www.johnsoncontrols.com) or follow us [@johnsoncontrols](https://twitter.com/johnsoncontrols) on Twitter.

**AUSTRALIA**

38 South St,  
Rydalmere,  
NSW 2116, Australia

**HONG KONG**

11/F & 12/F,  
Millennium City 6,  
392 Kwun Tong Road,  
Kwun Tong,  
Kowloon, Hong Kong

**INDONESIA**

Wisma 77, 16th Floor,  
Jl. S. Parman Kav. 77,  
Slipi,  
Jakarta 11410,  
Indonesia

**MALAYSIA**

Luxor Tech Centre,  
Level 2,  
No. 1A, Jalan  
Teknologi, Taman  
Sains Selangor 1, Kota  
Damansara, PJU 5,  
47810 Petaling Jaya,  
Selangor Darul Ehsan,  
Malaysia

**SINGAPORE**

31 International  
Business Park Road,  
#03-03, Lobby D & E,  
Singapore 609921

**KOREA**

34, Mareunnae-ro,  
Jung-gu,  
Seoul, 04555, Korea

**THAILAND**

Rama 9 Road, 719 KPN  
Tower,  
8th Floor, Bangkapi,  
Huaykwang,  
Bangkok, 10310  
Thailand

The power behind **your mission**

